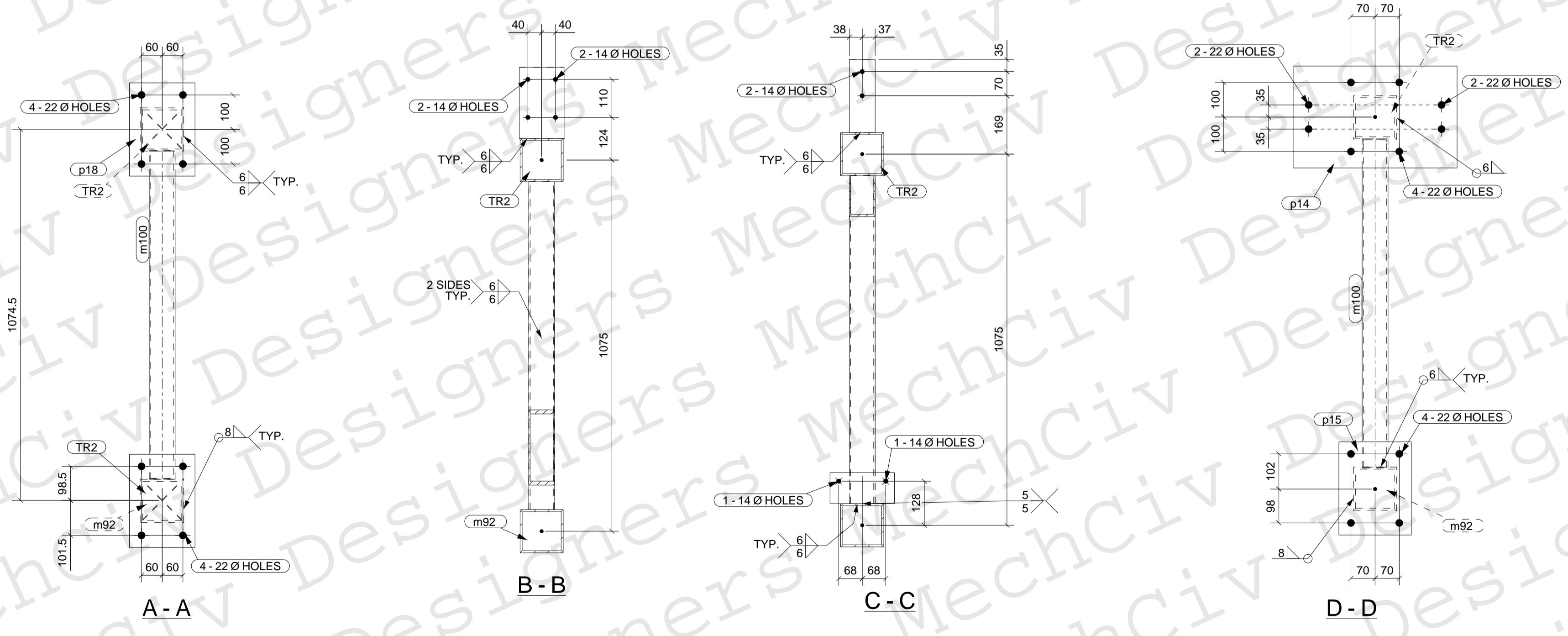
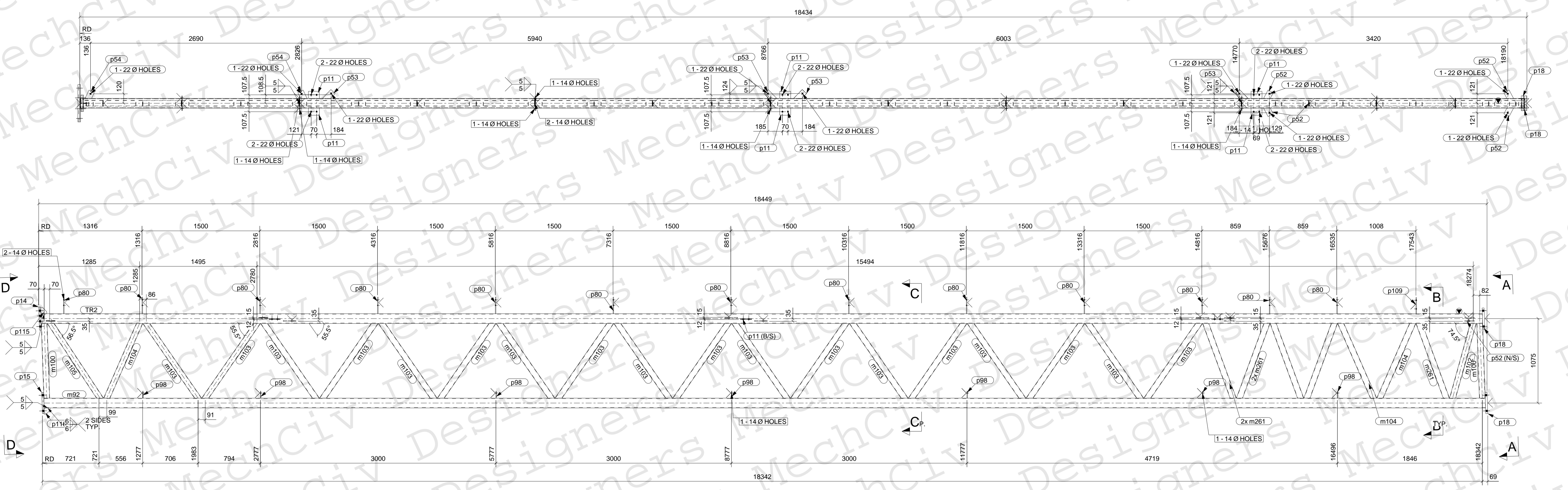


MATERIAL LIST						
ITEM	No.OFF	SECTION	LENGTH	GRADE	WEIGHT(kg)	AREA(m ²)
TR1	1	SHS125*125*6.0	18366	C350LO	393.6	8.7
m92	1	SHS125*125*6.0	18366	C350LO	393.6	8.7
m100	2	SHS75*75*4.0	953	C350LO	16.2	0.5
m102	1	SHS75*75*4.0	1007	C350LO	8.5	0.3
m103	18	SHS75*75*4.0	1208	C350LO	184.4	6.2
m104	3	SHS75*75*4.0	1071	C350LO	27.2	0.9
m105	1	SHS75*75*4.0	1189	C350LO	10.1	0.3
m261	5	SHS75*75*4.0	1039	C350LO	44.1	1.5
p11	6	FL12*90	140	250	7.1	0.2
p15	2	PL25*210	270	250	22.3	0.3
p18	2	PLT25*190	270	250	20.1	0.3
p52	4	FL10*75	121	300PLUS	2.4	0.1
p53	4	FL10*75	156	300PLUS	2.8	0.1
p54	2	FL10*75	116	300PLUS	1.2	0.0
p80	13	FL8*75	212	250	13.0	0.5
p98	7	FL6*90	187	250	5.5	0.3
p109	1	FL8*130	206	250	1.7	0.1
p114	1	PLT10*70	78	250	0.3	0.0
p116	1	FL10*75	80	250	0.4	0.0
TOTAL:					1154.4	28.8

1 TRUSS[S] REQUIRED MK TR1

General Notes
 Paint Specification:-
 Abrasive blast to Class 2 & 1/2 standard
 One coat of Inorganic Zinc Silicate (75 microns)
 Top colour coat od acrylic gloss (50 microns)
 ALL WELD 6CEF/490/SP U.N.O

REV	NAME	DATE	DESCRIPTION

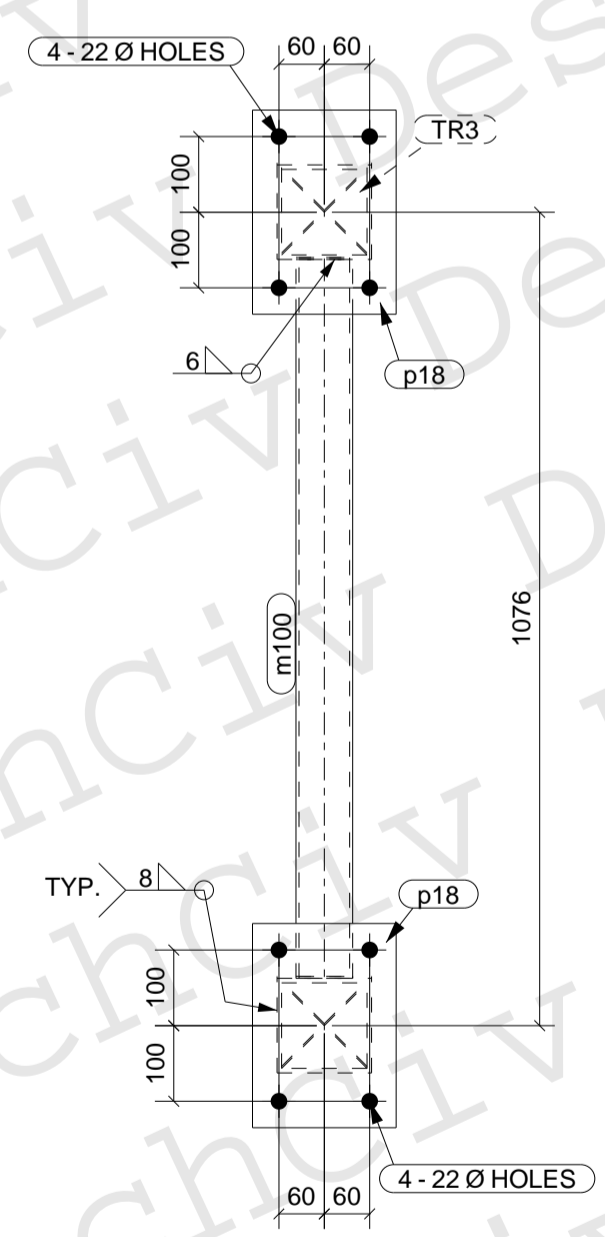
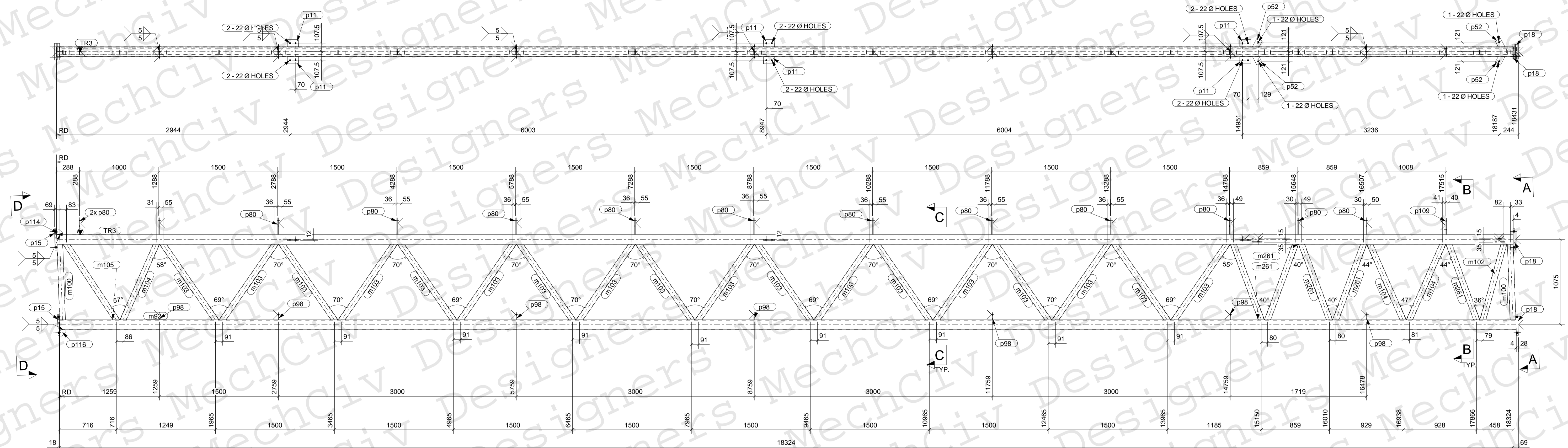


MATERIAL LIST						
ITEM	No.OFF	SECTION	LENGTH	GRADE	WEIGHT(kg)	AREA(m ²)
TR2	1	SHS125*125*6.0	18366	C350L0	393.6	8.7
m92	1	SHS125*125*6.0	18366	C350L0	393.6	8.7
m100	2	SHS75*75*4.0	953	C350L0	16.2	0.5
m102	1	SHS75*75*4.0	1007	C350L0	8.5	0.3
m103	18	SHS75*75*4.0	1208	C350L0	184.4	6.2
m104	3	SHS75*75*4.0	1071	C350L0	27.2	0.9
m105	1	SHS75*75*4.0	1189	C350L0	10.1	0.3
m261	5	SHS75*75*4.0	1039	C350L0	44.1	1.5
p11	6	FL12*90	140	250	7.1	0.2
p14	1	PL25*295	475	250	27.5	0.3
p15	1	PL25*210	270	250	11.1	0.1
p18	2	PLT25*190	270	250	20.1	0.3
p52	4	FL10*75	121	300PLUS	2.4	0.1
p53	4	FL10*75	156	300PLUS	2.8	0.1
p54	2	FL10*75	116	300PLUS	1.2	0.0
p80	13	FL8*75	212	250	13.0	0.5
p98	7	FL6*90	187	250	5.5	0.3
p109	1	FL8*130	206	250	1.7	0.1
p115	1	FL10*75	83	250	0.4	0.0
p116	1	FL10*75	80	250	0.4	0.0
TOTAL:					1170.8	29.0

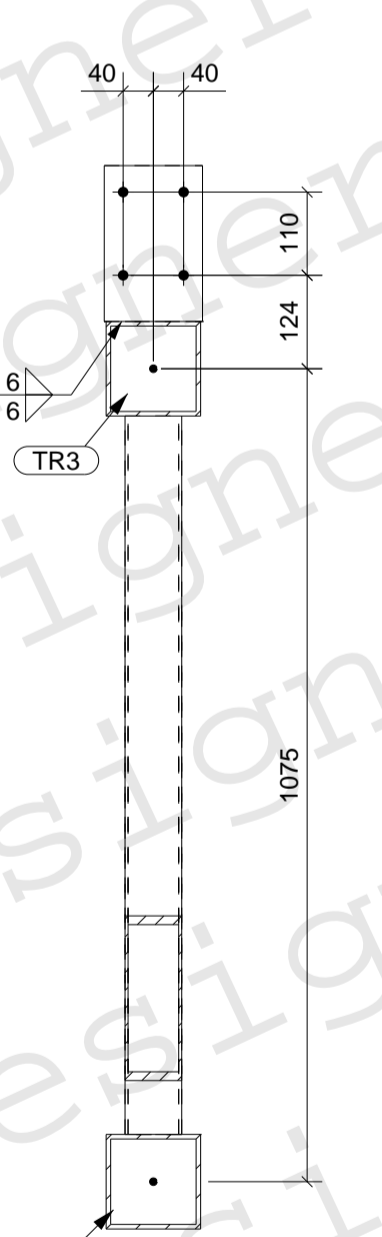
1 TRUSS[S] REQUIRED MK TR2

General Notes
 Paint Specification:-
 Abrasive blast to Class 2 & 1/2 standard
 One coat of Inorganic Zinc Silicate (75 microns)
 Top colour coat od acrylic gloss (50 microns)
 ALL WELD 6CEF/490/SP U.N.O

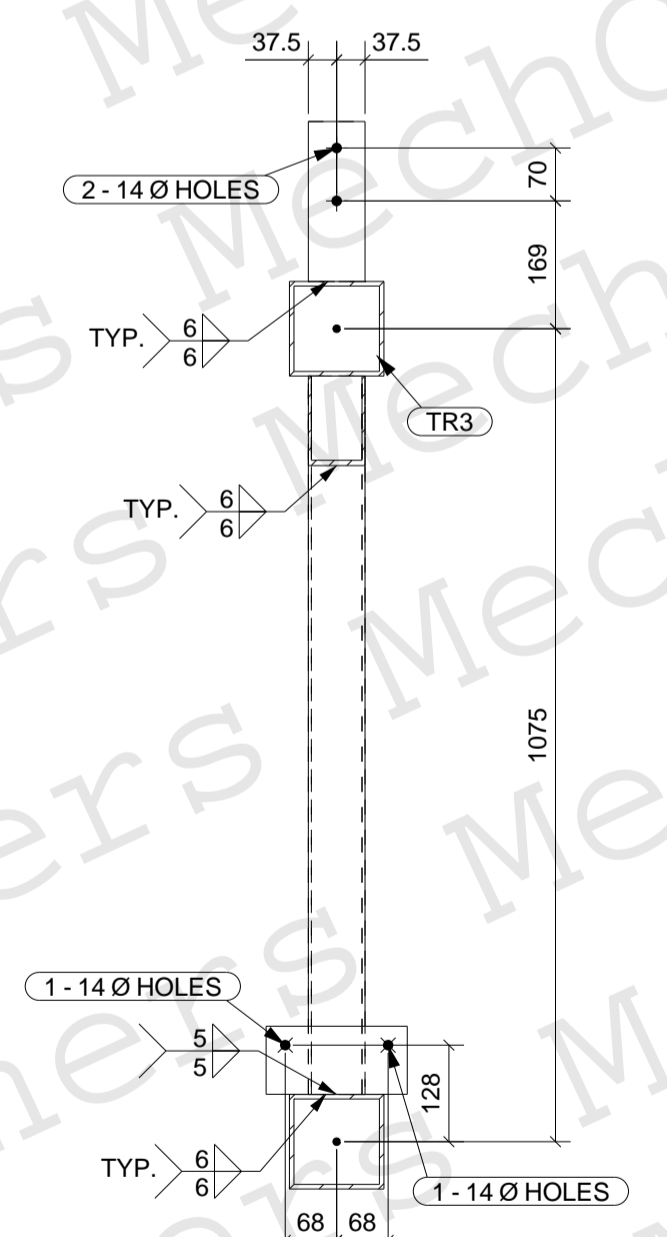
REV	NAME	DATE	DESCRIPTION



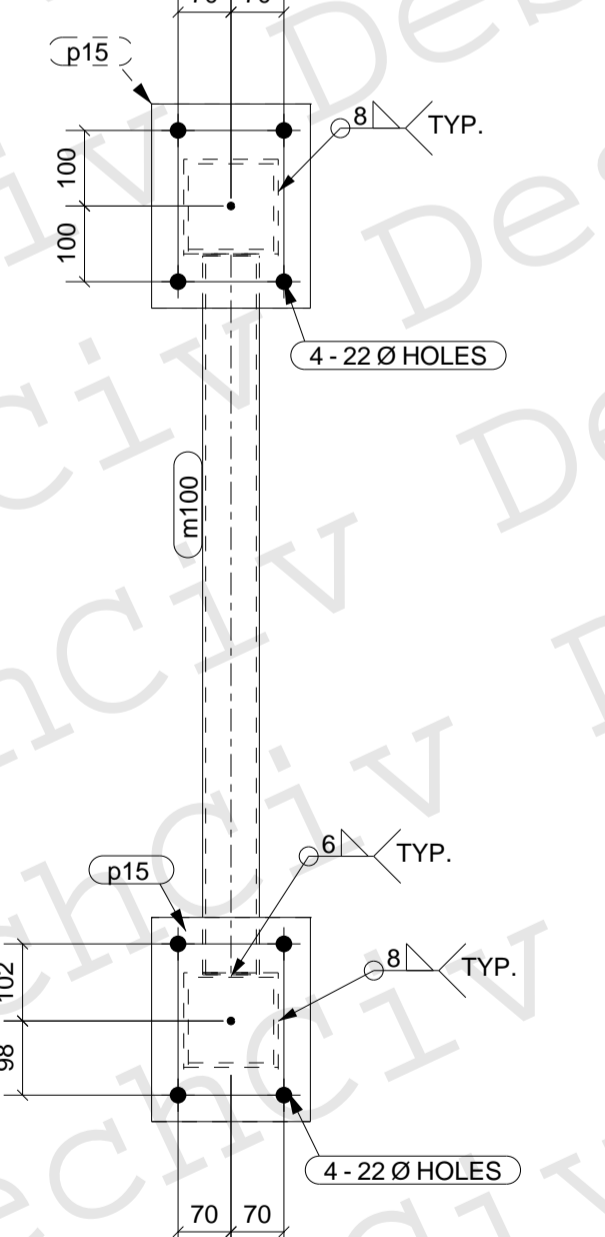
A - A



B - B



C - C



D - D

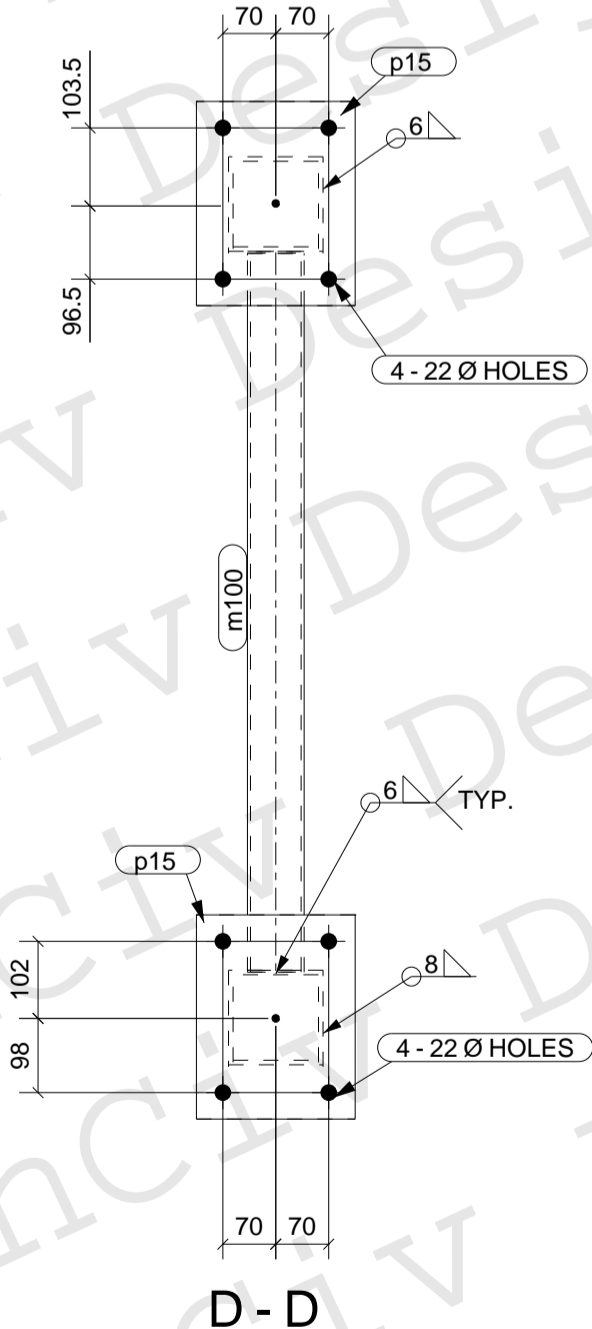
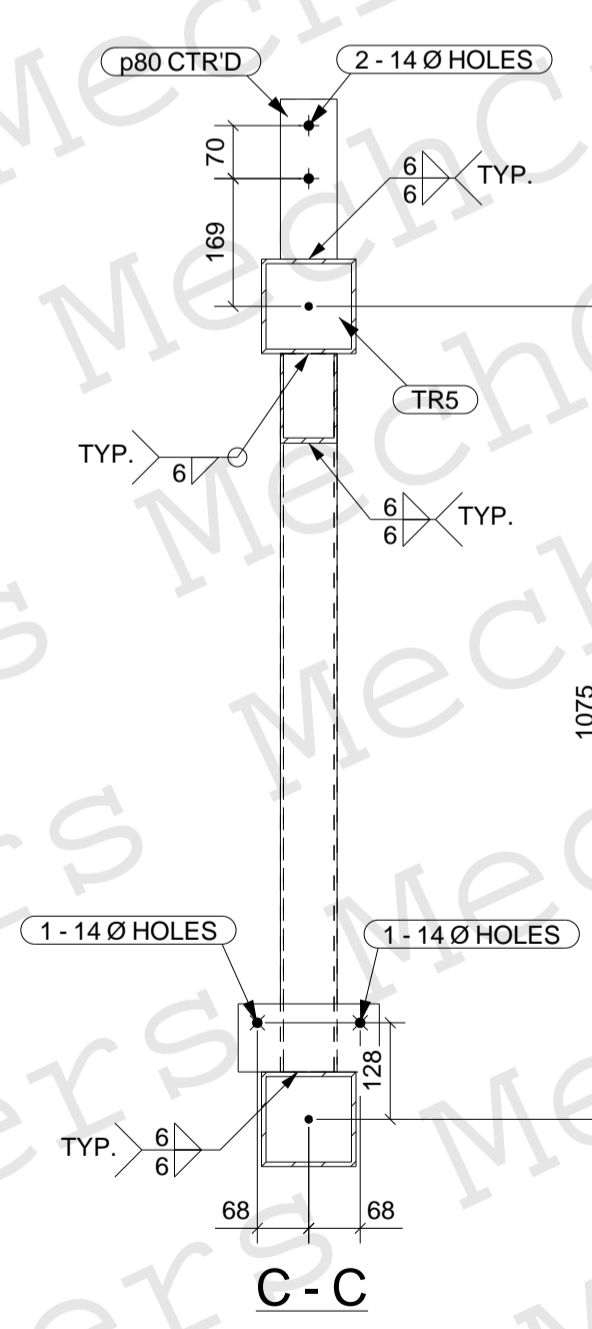
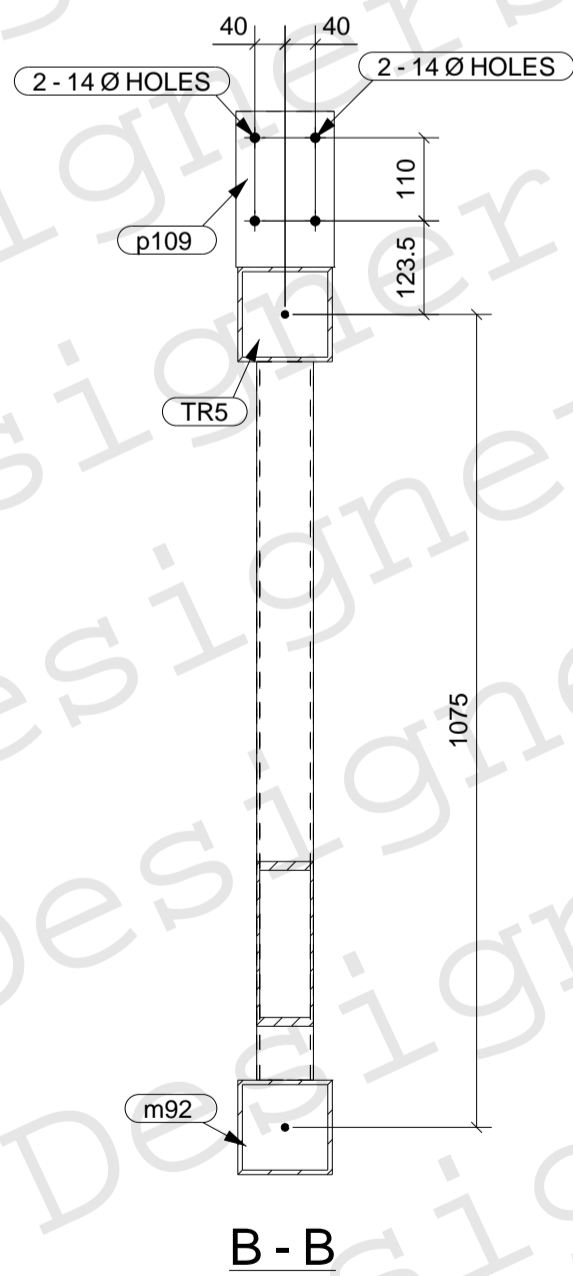
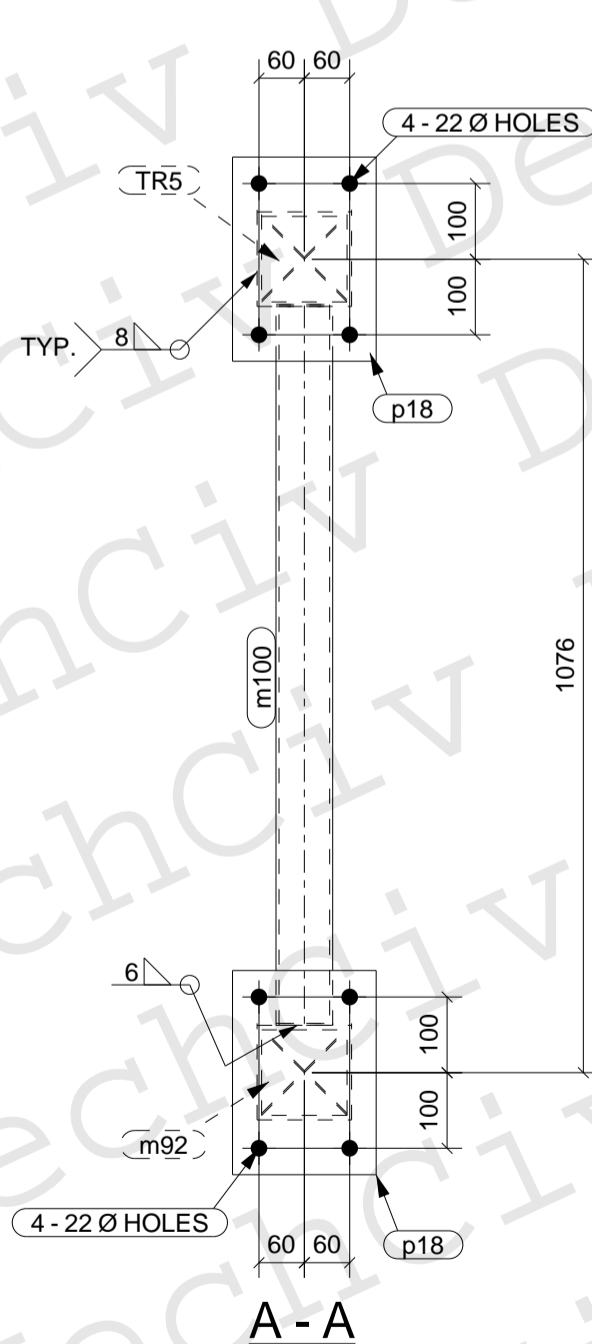
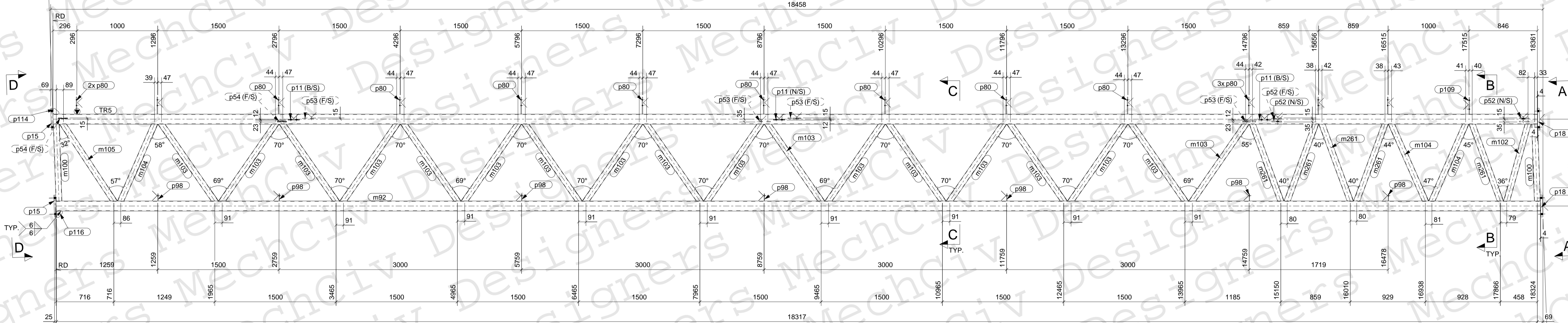
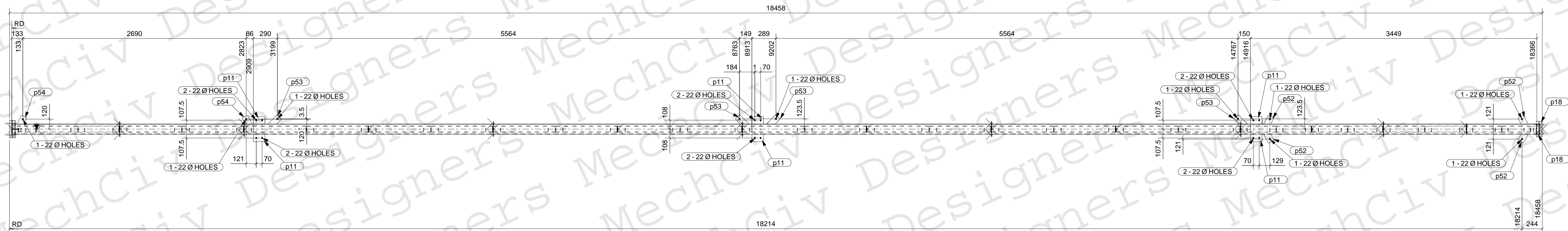
4 TRUSS[S] REQUIRED MK TR3

MATERIAL LIST						
ITEM	No.OFF	SECTION	LENGTH	GRADE	WEIGHT(kg)	AREA(m ²)
TR3	4	SHS125*125*6.0	18366	C350LO	1574.3	34.8
m92	4	SHS125*125*6.0	18366	C350LO	1574.3	34.8
m100	8	SHS75*75*4.0	953	C350LO	64.6	2.2
m102	4	SHS75*75*4.0	1007	C350LO	34.1	1.1
m103	72	SHS75*75*4.0	1208	C350LO	737.5	24.6
m104	12	SHS75*75*4.0	1071	C350LO	108.9	3.6
m105	4	SHS75*75*4.0	1189	C350LO	40.3	1.3
m261	20	SHS75*75*4.0	1039	C350LO	176.3	5.9
p11	24	FL12*90	140	250	28.5	0.7
p15	8	PL25*210	270	250	89.0	1.1
p18	8	PLT25*190	270	250	80.5	1.0
p52	16	FL10*75	121	300PLUS	9.5	0.3
p80	52	FL8*75	212	250	51.8	1.9
p98	28	FL6*90	187	250	22.2	1.0
p109	4	FL8*130	206	250	6.7	0.2
p114	4	PLT10*70	78	250	1.3	0.0
p116	4	FL10*75	80	250	1.4	0.0
TOTAL:					4601.5	114.8

General Notes

- Paint Specification:-
- Abrasive blast to Class 2 & 1/2 standard
- One coat of Inorganic Zinc Silicate (75 microns)
- Top colour coat od acrylic gloss (50 microns)
- ALL WELD 6CEF/490/SP U.N.O

REV	NAME	DATE	DESCRIPTION



1 TRUSS[S] REQUIRED MK TR5

MATERIAL LIST						
ITEM	No.OFF	SECTION	LENGTH	GRADE	WEIGHT(kg)	AREA(m ²)
TR5	1	SHS125*125*6.0	18366	C350L0	393.6	8.7
m92	1	SHS125*125*6.0	18366	C350L0	393.6	8.7
m100	2	SHS75*75*4.0	953	C350L0	16.2	0.5
m102	1	SHS75*75*4.0	1007	C350L0	8.5	0.3
m103	18	SHS75*75*4.0	1208	C350L0	184.4	6.2
m104	3	SHS75*75*4.0	1071	C350L0	27.2	0.9
m105	1	SHS75*75*4.0	1189	C350L0	10.1	0.3
m261	5	SHS75*75*4.0	1039	C350L0	44.1	1.5
p11	6	FL12*90	140	250	7.1	0.2
p15	2	PL25*210	270	250	22.3	0.3
p18	2	PLT25*190	270	250	20.1	0.3
p52	4	FL10*75	121	300PLUS	2.4	0.1
p53	4	FL10*75	156	300PLUS	2.8	0.1
p54	2	FL10*75	116	300PLUS	1.2	0.0
p80	13	FL8*75	212	250	13.0	0.5
p98	7	FL6*90	187	250	5.5	0.3
p109	1	FL8*130	206	250	1.7	0.1
p114	1	PLT10*70	78	250	0.3	0.0
p116	1	FL10*75	80	250	0.4	0.0
TOTAL:					1154.4	28.8

General Notes

Paint Specification:-
 Abrasive blast to Class 2 & 1/2 standard
 One coat of Inorganic Zinc Silicate (75 microns)
 Top colour coat od acrylic gloss (50 microns)
 ALL WELD 6CEF/490/SP U.N.O

REV	NAME	DATE	DESCRIPTION