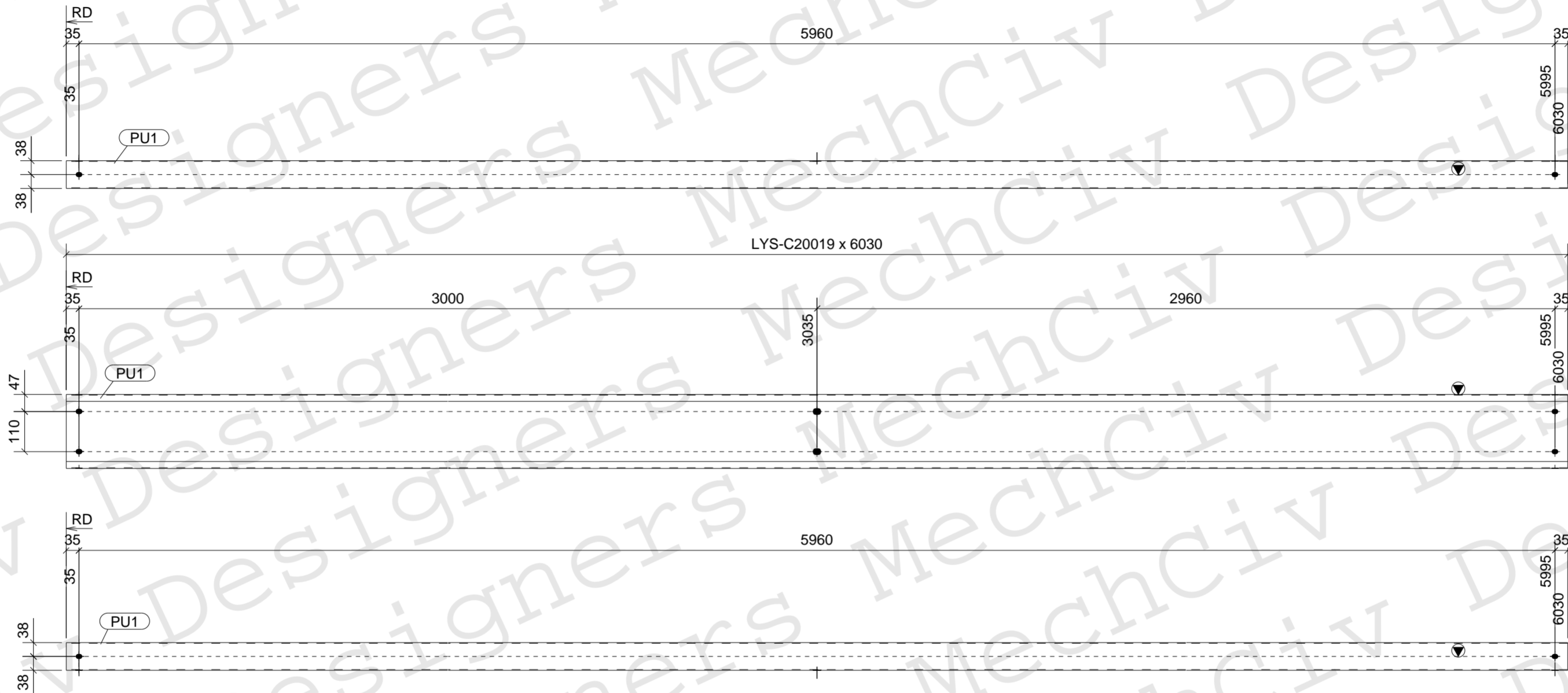


**PURLIN DETAILING SHEET**

NOTE: ALL HOLES ARE 18DIA X 22 Lg SLOTS UNLESS NOTED



**1 PURLIN[S] REQUIRED MK PU1**

MATERIAL LIST						
ITEM	No.OFF	SECTION	LENGTH	GRADE	WEIGHT(kg)	AREA(m <sup>2</sup> )
PU1	1	LYS-C20019	6030	G450	33.7	4.7
TOTAL:					33.7	4.7

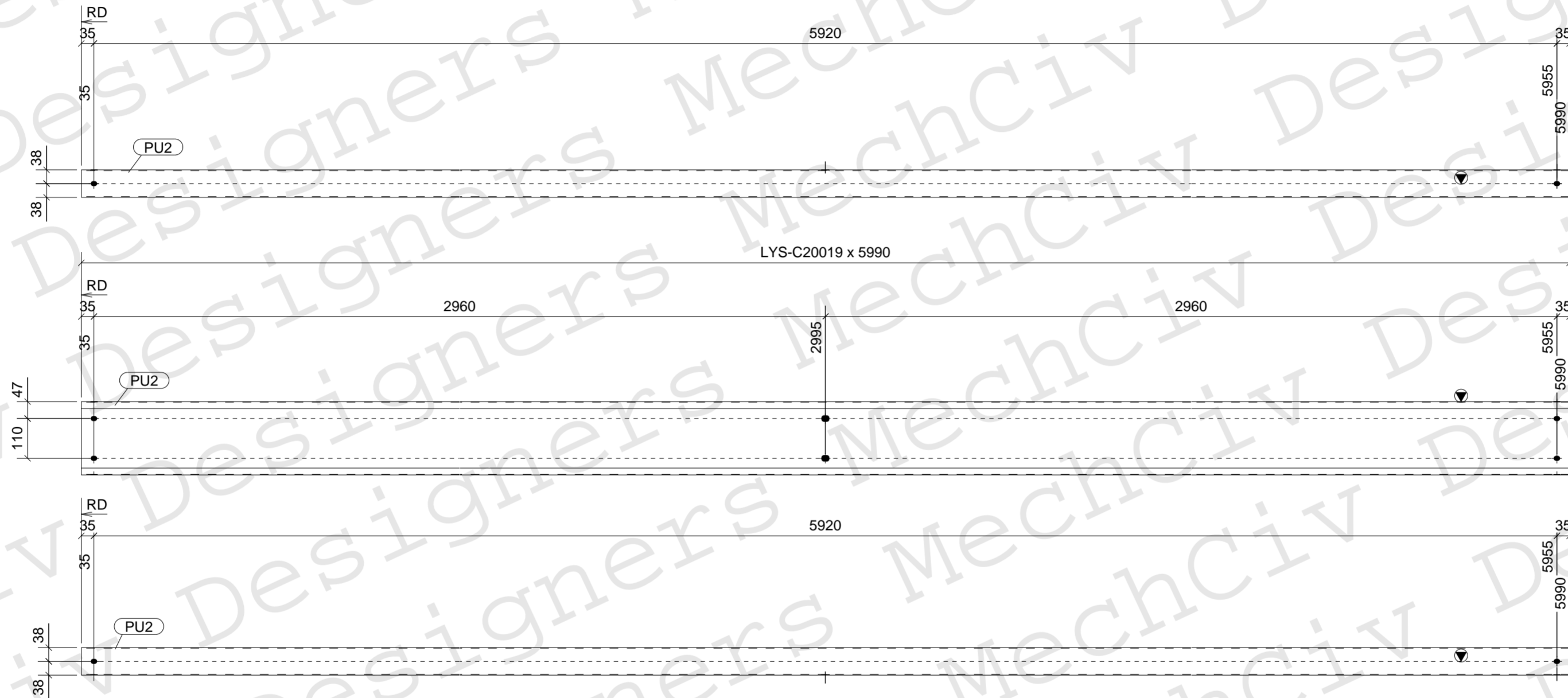
**General Notes**

Paint Specification:-  
 Abrasive blast to Class 2 & 1/2 standard  
 One coat of Inorganic Zinc Silicate (75 microns)  
 Top colour coat od acrylic gloss (50 microns)  
 ALL WELD 6CEF/490/SP U.N.O

REV	NAME	DATE	DESCRIPTION

**PURLIN DETAILING SHEET**

NOTE: ALL HOLES ARE 18DIA X 22 Lg SLOTS UNLESS NOTED



**3 PURLIN[S] REQUIRED MK PU2**

MATERIAL LIST						
ITEM	No.OFF	SECTION	LENGTH	GRADE	WEIGHT(kg)	AREA(m <sup>2</sup> )
PU2	3	LYS-C20019	5990	G450	100.5	13.9
TOTAL:					100.5	13.9

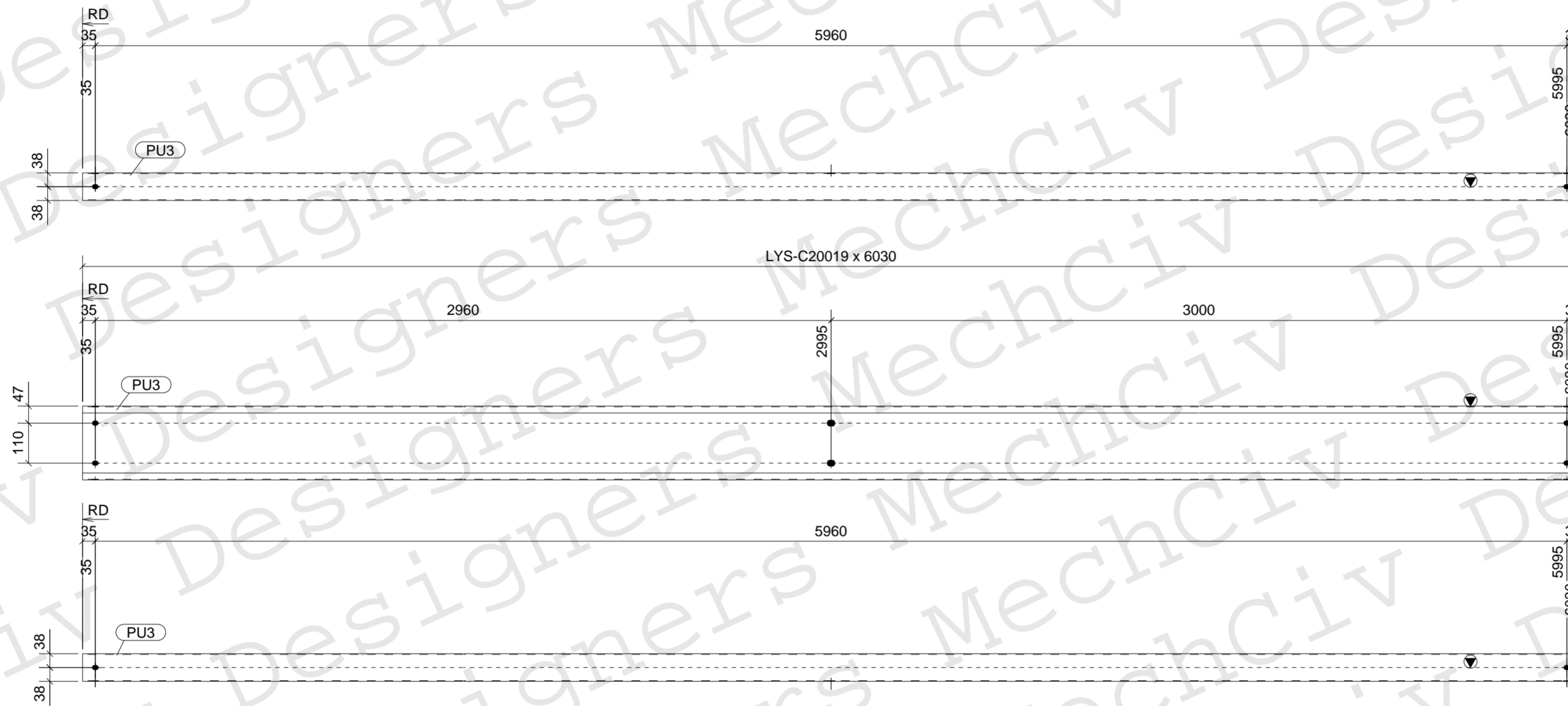
**General Notes**

Paint Specification:-  
 Abrasive blast to Class 2 & 1/2 standard  
 One coat of Inorganic Zinc Silicate (75 microns)  
 Top colour coat od acrylic gloss (50 microns)  
 ALL WELD 6CEF/490/SP U.N.O

REV	NAME	DATE	DESCRIPTION

# PURLIN DETAILING SHEET

NOTE: ALL HOLES ARE 18DIA X 22 Lg SLOTS UNLESS NOTED



**1 PURLIN[S] REQUIRED MK PU3**

### General Notes

Paint Specification:-  
 Abrasive blast to Class 2 & 1/2 standard  
 One coat of Inorganic Zinc Silicate (75 microns)  
 Top colour coat od acrylic gloss (50 microns)  
 ALL WELD 6CEF/490/SP U.N.O

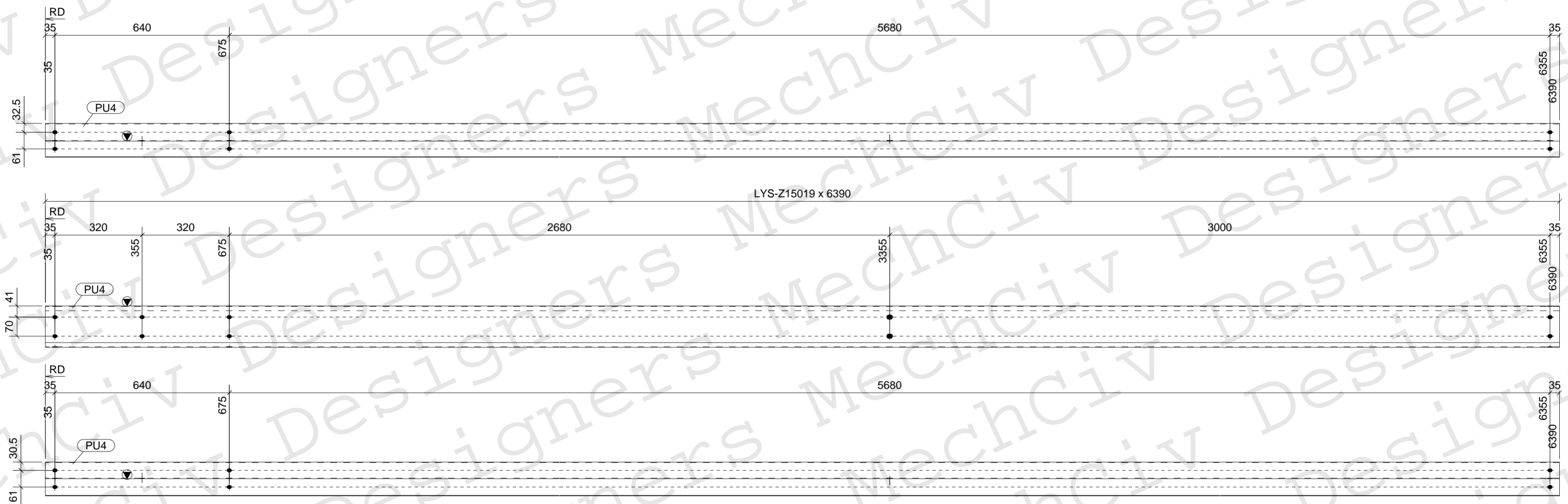
REV	NAME	DATE	DESCRIPTION

### MATERIAL LIST

ITEM	No.OFF	SECTION	LENGTH	GRADE	WEIGHT(kg)	AREA(m <sup>2</sup> )
PU3	1	LYS-C20019	6030	G450	33.7	4.7
TOTAL:					33.7	4.7

# PURLIN DETAILING SHEET

NOTE: ALL HOLES ARE 18DIA X 22 Lg SLOTS UNLESS NOTED



**2 PURLIN[S] REQUIRED MK PU4**

MATERIAL LIST						
ITEM	No.OFF	SECTION	LENGTH	GRADE	WEIGHT(kg)	AREA(m <sup>2</sup> )
PU4	2	LYS-Z15019	6390	G450	56.2	7.9
TOTAL:					56.2	7.9

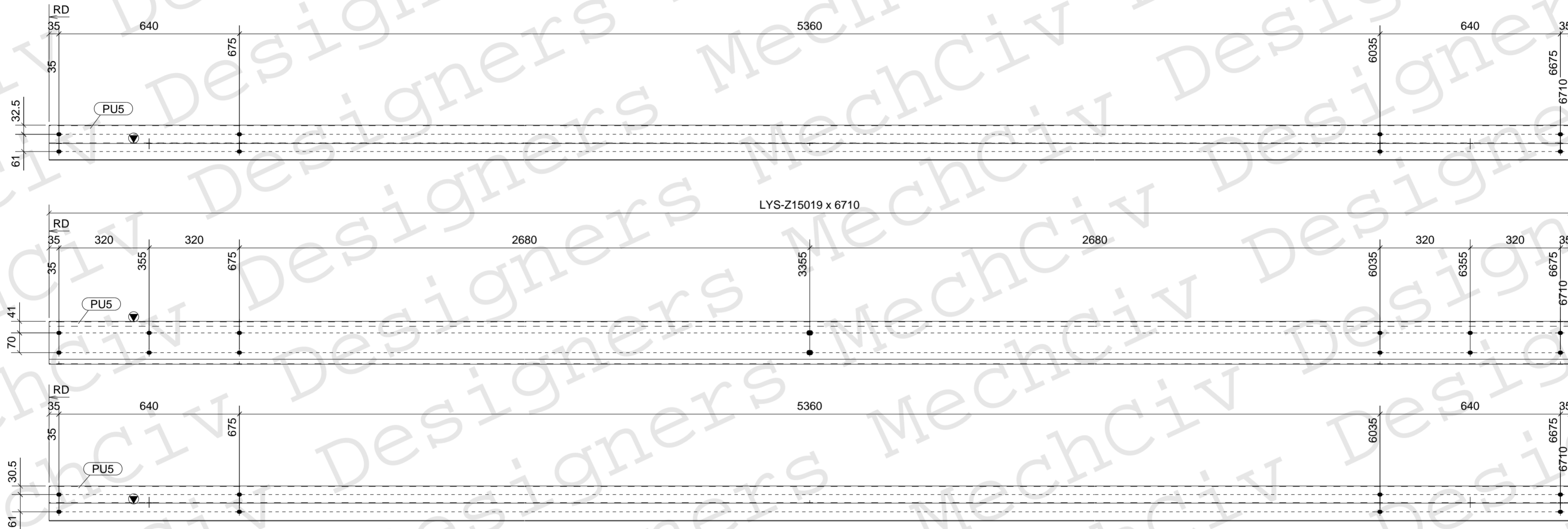
### General Notes

Paint Specification:-  
 Abrasive blast to Class 2 & 1/2 standard  
 One coat of Inorganic Zinc Silicate (75 microns)  
 Top colour coat od acrylic gloss (50 microns)  
 ALL WELD 6CEF/490/SP U.N.O

REV	NAME	DATE	DESCRIPTION

# PURLIN DETAILING SHEET

NOTE: ALL HOLES ARE 18DIA X 22 Lg SLOTS UNLESS NOTED



**6 PURLIN[S] REQUIRED MK PU5**

MATERIAL LIST						
ITEM	No.OFF	SECTION	LENGTH	GRADE	WEIGHT(kg)	AREA(m <sup>2</sup> )
PU5	6	LYS-Z15019	6710	G450	177.1	24.8
TOTAL:					177.1	24.8

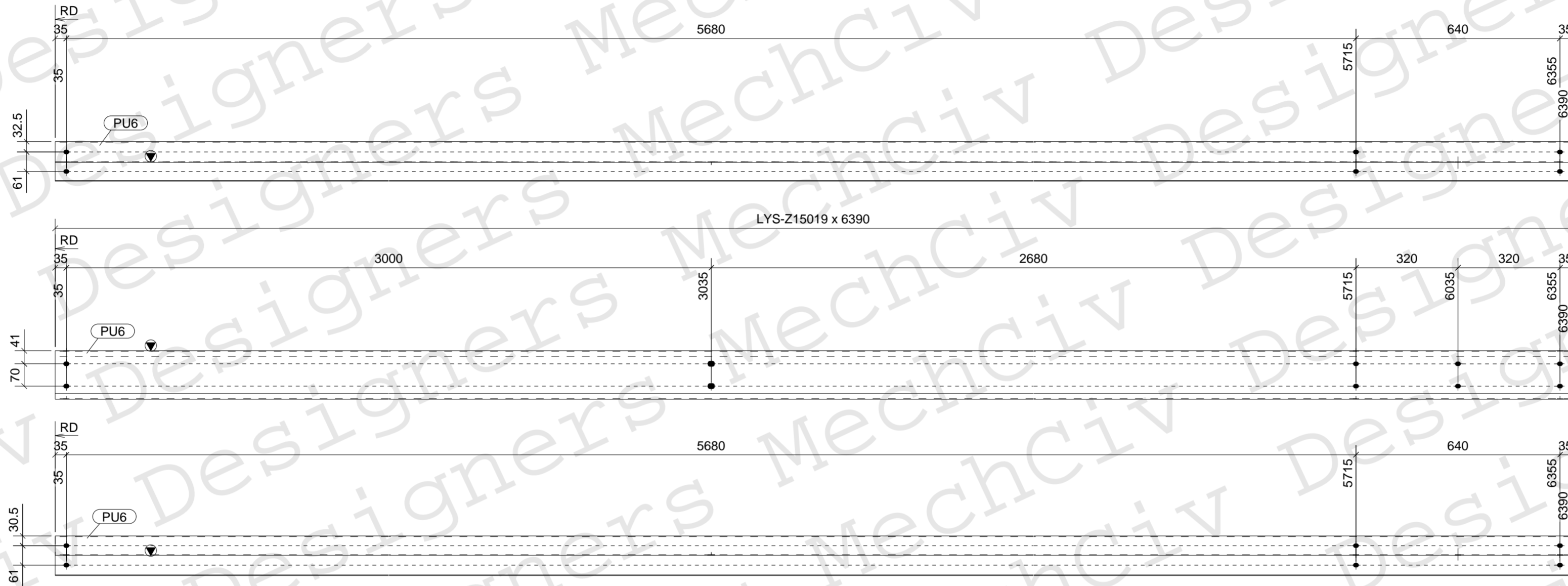
### General Notes

Paint Specification:-  
 Abrasive blast to Class 2 & 1/2 standard  
 One coat of Inorganic Zinc Silicate (75 microns)  
 Top colour coat od acrylic gloss (50 microns)  
 ALL WELD 6CEF/490/SP U.N.O

REV/NAME	DATE	DESCRIPTION

**PURLIN DETAILING SHEET**

NOTE: ALL HOLES ARE 18DIA X 22 Lg SLOTS UNLESS NOTED



**2 PURLIN[S] REQUIRED MK PU6**

**General Notes**

Paint Specification:-  
 Abrasive blast to Class 2 & 1/2 standard  
 One coat of Inorganic Zinc Silicate (75 microns)  
 Top colour coat od acrylic gloss (50 microns)  
 ALL WELD 6CEF/490/SP U.N.O

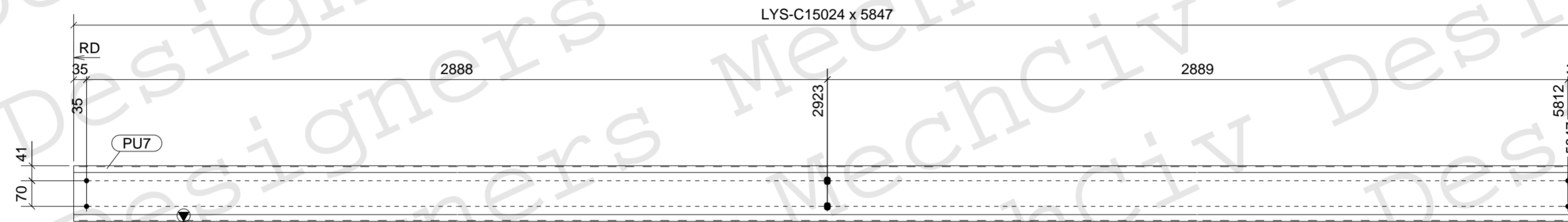
REV/NAME	DATE	DESCRIPTION

**MATERIAL LIST**

ITEM	No.OFF	SECTION	LENGTH	GRADE	WEIGHT(kg)	AREA(m <sup>2</sup> )
PU6	2	LYS-Z15019	6390	G450	56.2	7.9
TOTAL:					56.2	7.9

**PURLIN DETAILING SHEET**

NOTE: ALL HOLES ARE 18DIA X 22 Lg SLOTS UNLESS NOTED



**73 PURLIN[S] REQUIRED MK PU7**

MATERIAL LIST						
ITEM	No.OFF	SECTION	LENGTH	GRADE	WEIGHT(kg)	AREA(m <sup>2</sup> )
PU7	73	LYS-C15024	5847	G450	2372.2	264.6
TOTAL:					2372.2	264.6

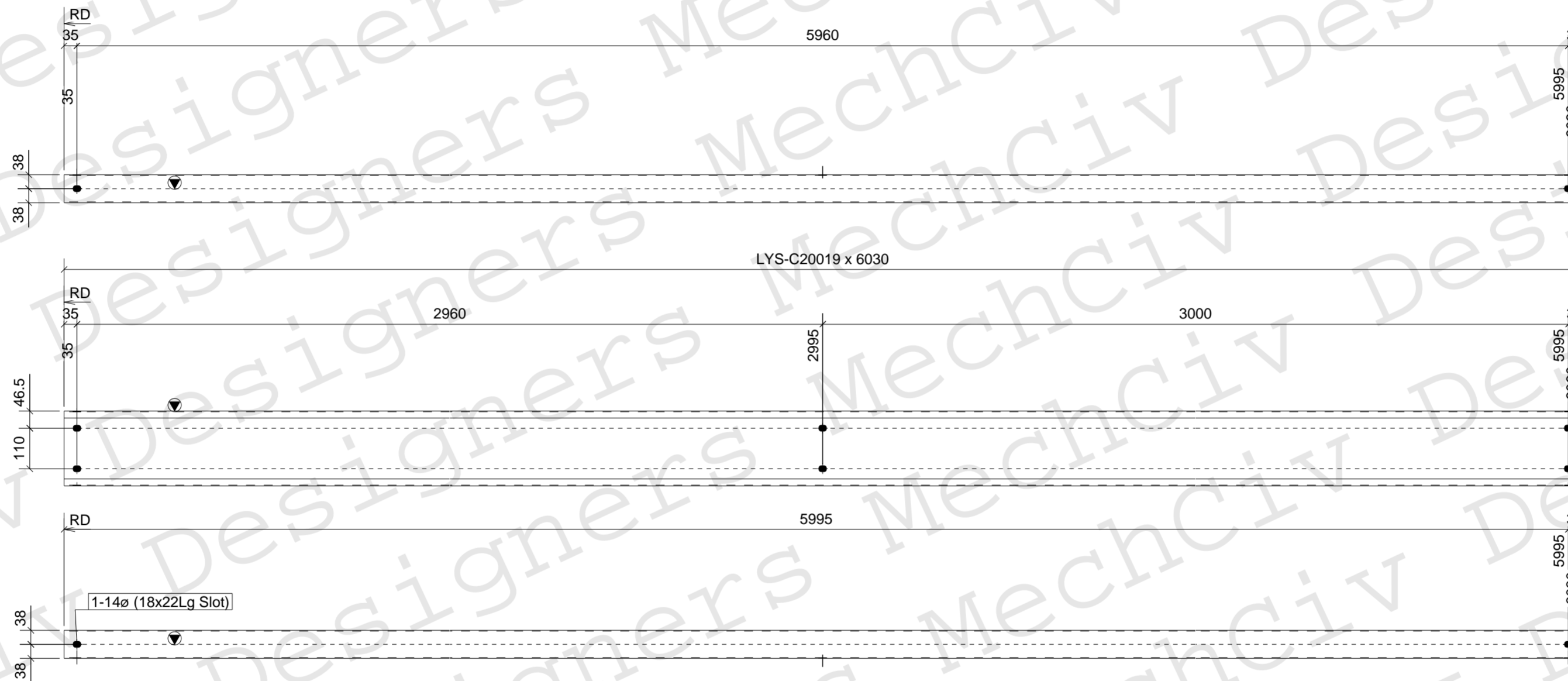
**General Notes**

Paint Specification:-  
 Abrasive blast to Class 2 & 1/2 standard  
 One coat of Inorganic Zinc Silicate (75 microns)  
 Top colour coat od acrylic gloss (50 microns)  
 ALL WELD 6CEF/490/SP U.N.O

REV	NAME	DATE	DESCRIPTION

**PURLIN DETAILING SHEET**

NOTE: ALL HOLES ARE 18DIA X 22 Lg SLOTS UNLESS NOTED



**1 PURLIN[S] REQUIRED MK PU8**

**General Notes**

Paint Specification:-  
 Abrasive blast to Class 2 & 1/2 standard  
 One coat of Inorganic Zinc Silicate (75 microns)  
 Top colour coat od acrylic gloss (50 microns)  
 ALL WELD 6CEF/490/SP U.N.O

REV	NAME	DATE	DESCRIPTION

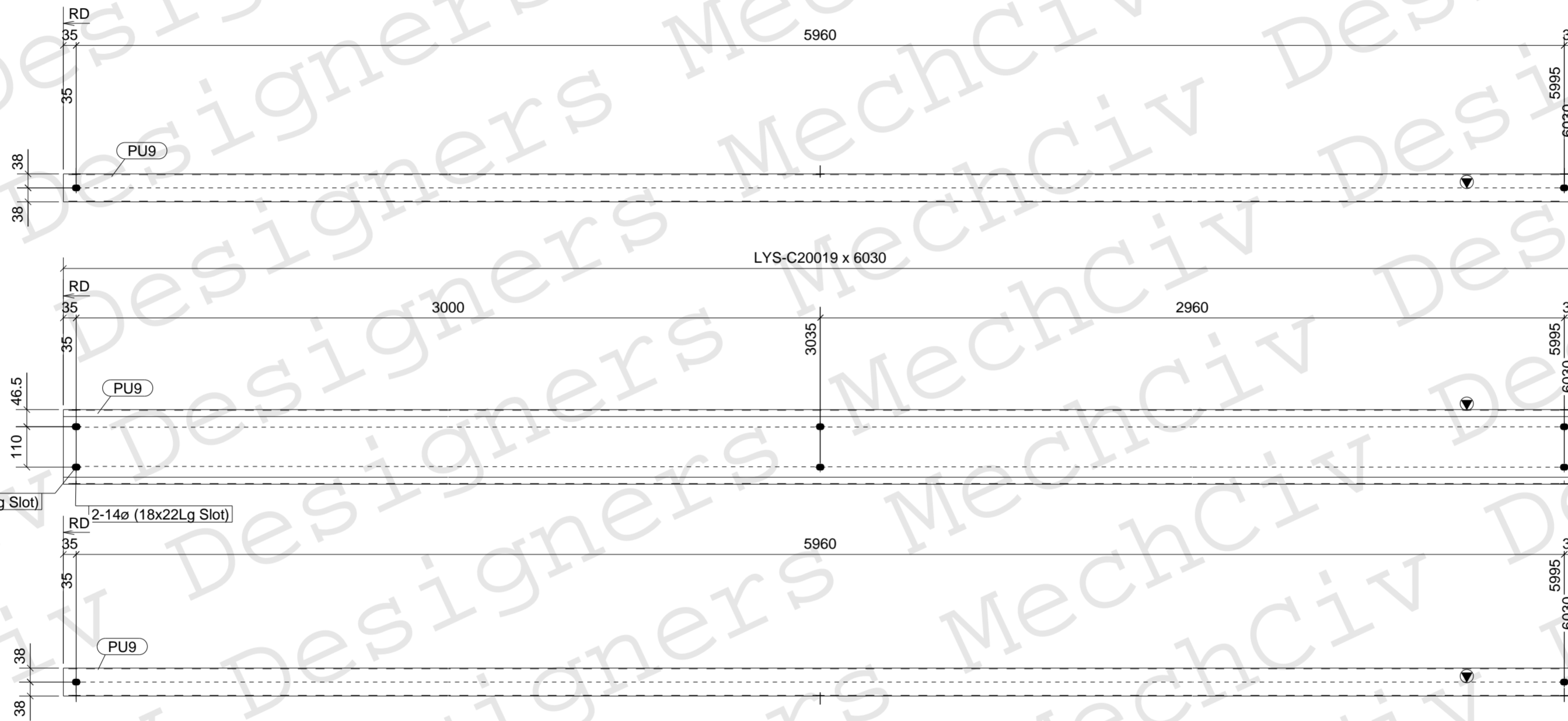
**MATERIAL LIST**

ITEM	No.OFF	SECTION	LENGTH	GRADE	WEIGHT(kg)	AREA(m <sup>2</sup> )
PUR	1	LYS-C20019	6030	G450	33.7	4.7
TOTAL:					33.7	4.7



# PURLIN DETAILING SHEET

NOTE: ALL HOLES ARE 18DIA X 22 Lg SLOTS UNLESS NOTED



1 PURLIN[S] REQUIRED MK PU9

MATERIAL LIST						
ITEM	No.Off	SECTION	LENGTH	GRADE	WEIGHT(kg)	AREA(m <sup>2</sup> )
PU9	1	LYS-C20019	6030	G450	33.7	4.7
TOTAL:					33.7	4.7

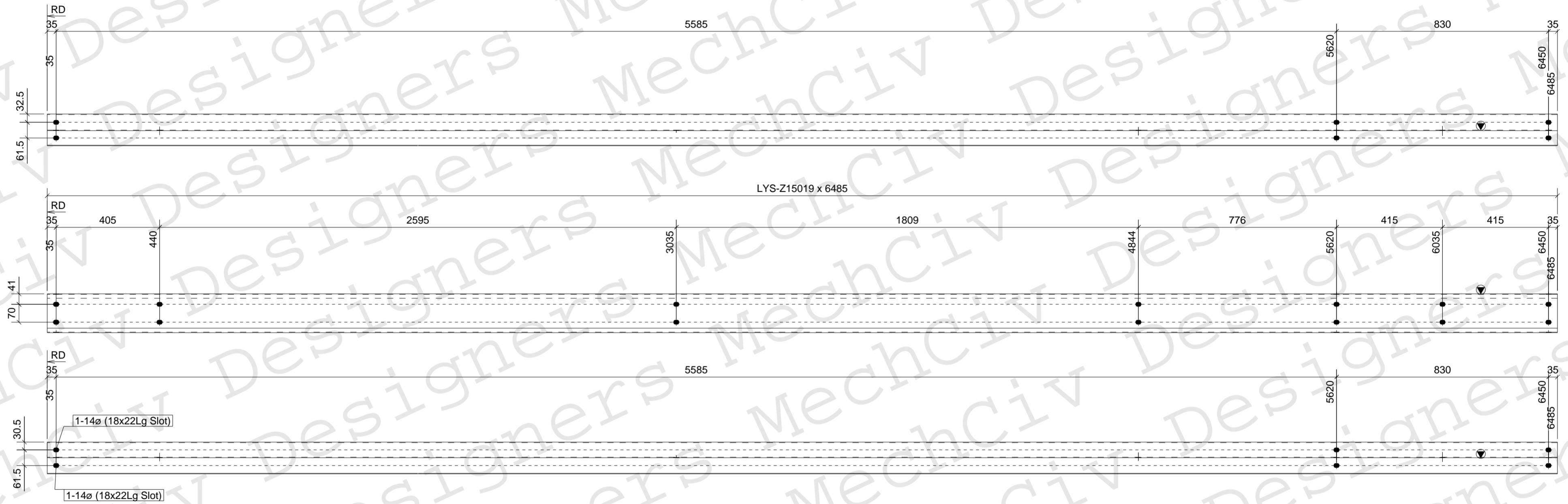
### General Notes

Paint Specification:-  
 Abrasive blast to Class 2 & 1/2 standard  
 One coat of Inorganic Zinc Silicate (75 microns)  
 Top colour coat od acrylic gloss (50 microns)  
 ALL WELD 6CEF/490/SP U.N.O

REV	NAME	DATE	DESCRIPTION

# PURLIN DETAILING SHEET

NOTE: ALL HOLES ARE 18DIA X 22 Lg SLOTS UNLESS NOTED



**4 PURLIN[S] REQUIRED MK PU10**

MATERIAL LIST						
ITEM	No.OFF	SECTION	LENGTH	GRADE	WEIGHT(kg)	AREA(m <sup>2</sup> )
PU10	4	LYS-Z15019	6485	G450	114.1	15.9
TOTAL:					114.1	15.9

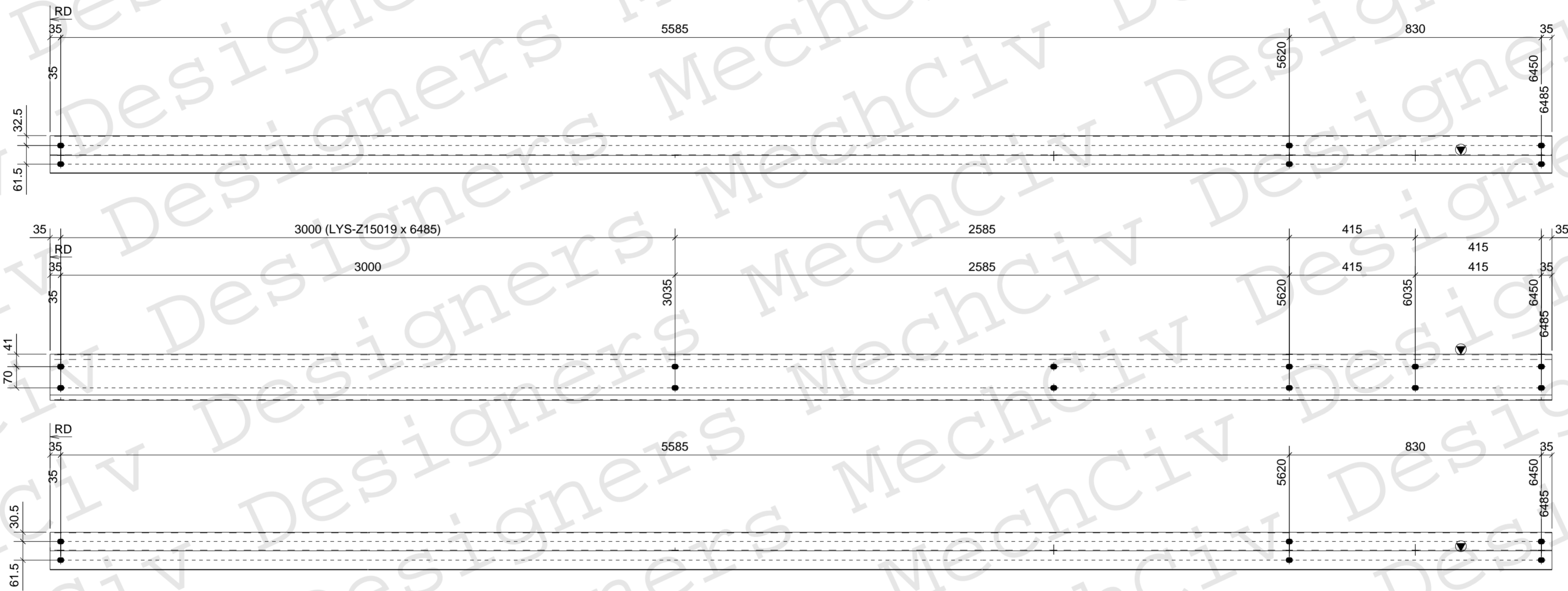
### General Notes

Paint Specification:-  
 Abrasive blast to Class 2 & 1/2 standard  
 One coat of Inorganic Zinc Silicate (75 microns)  
 Top colour coat of acrylic gloss (50 microns)  
 ALL WELD 6CEF/490/SP U.N.O

REV	NAME	DATE	DESCRIPTION

**PURLIN DETAILING SHEET**

NOTE: ALL HOLES ARE 18DIA X 22 Lg SLOTS UNLESS NOTED



**3 PURLIN[S] REQUIRED MK PU11**

**General Notes**

Paint Specification:-  
 Abrasive blast to Class 2 & 1/2 standard  
 One coat of Inorganic Zinc Silicate (75 microns)  
 Top colour coat od acrylic gloss (50 microns)  
 ALL WELD 6CEF/490/SP U.N.O

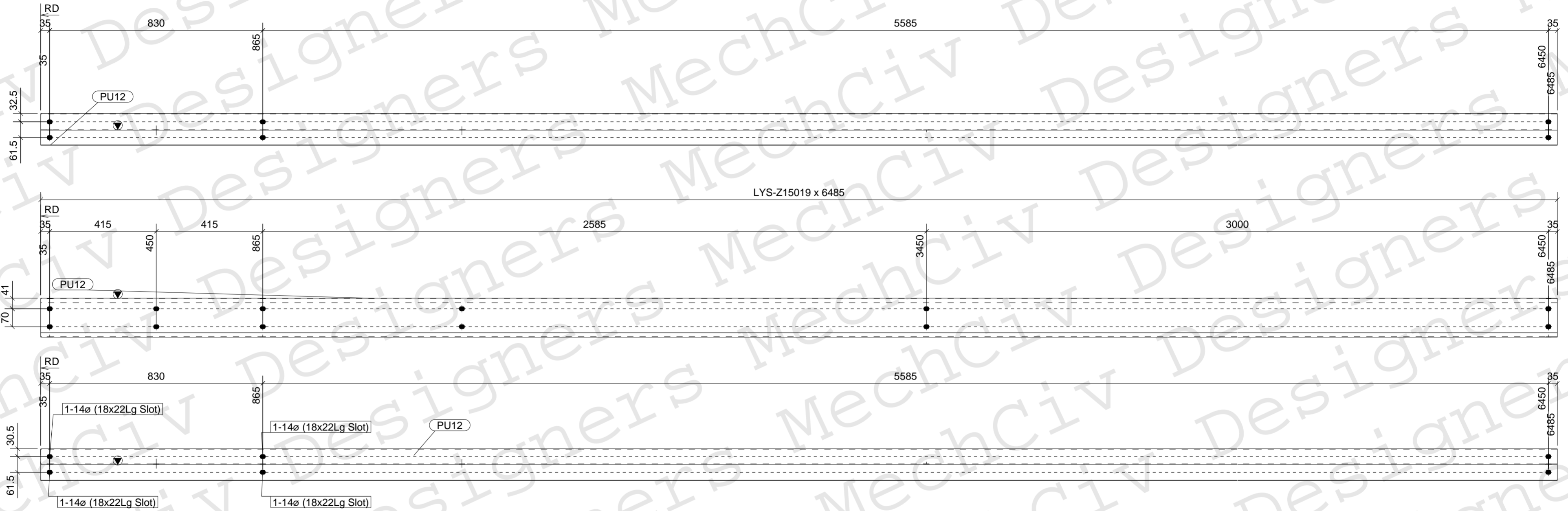
REV	NAME	DATE	DESCRIPTION

**MATERIAL LIST**

ITEM	No.OFF	SECTION	LENGTH	GRADE	WEIGHT(kg)	AREA(m <sup>2</sup> )
PU11	3	LYS-Z15019	6485	G450	85.6	12.0
TOTAL:					85.6	12.0

# PURLIN DETAILING SHEET

NOTE: ALL HOLES ARE 18DIA X 22 Lg SLOTS UNLESS NOTED



**3 PURLIN[S] REQUIRED MK PU12**

MATERIAL LIST						
ITEM	No.OFF	SECTION	LENGTH	GRADE	WEIGHT(kg)	AREA(m <sup>2</sup> )
PU12	3	LYS-Z15019	6485	G450	85.6	12.0
TOTAL:					85.6	12.0

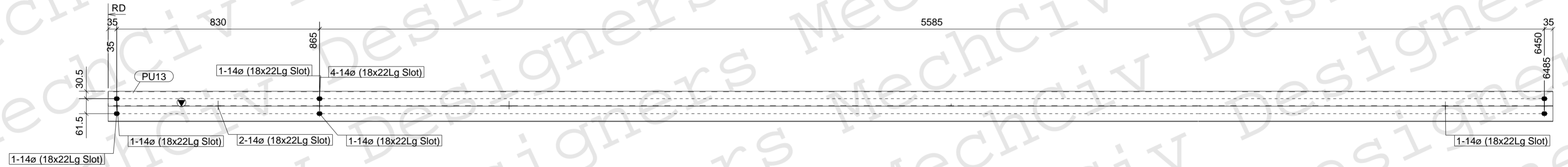
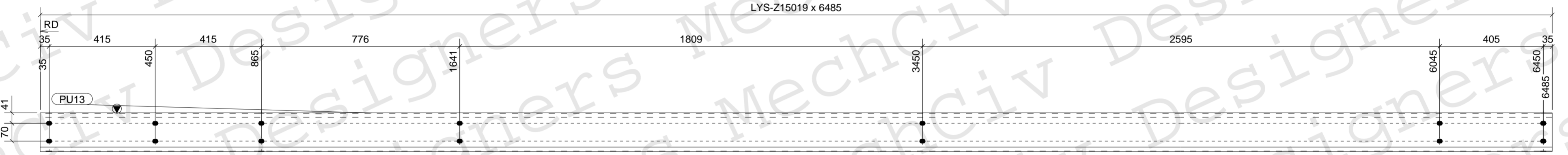
### General Notes

Paint Specification:-  
 Abrasive blast to Class 2 & 1/2 standard  
 One coat of Inorganic Zinc Silicate (75 microns)  
 Top colour coat of acrylic gloss (50 microns)  
 ALL WELD 6CEF/490/SP U.N.O

REV/NAME	DATE	DESCRIPTION

**PURLIN DETAILING SHEET**

NOTE: ALL HOLES ARE 18DIA X 22 Lg SLOTS UNLESS NOTED



**4 PURLIN[S] REQUIRED MK PU13**

MATERIAL LIST						
ITEM	No.OFF	SECTION	LENGTH	GRADE	WEIGHT(kg)	AREA(m <sup>2</sup> )
PU13	4	LYS-Z15019	6485	G450	114.1	15.9
TOTAL:					114.1	15.9

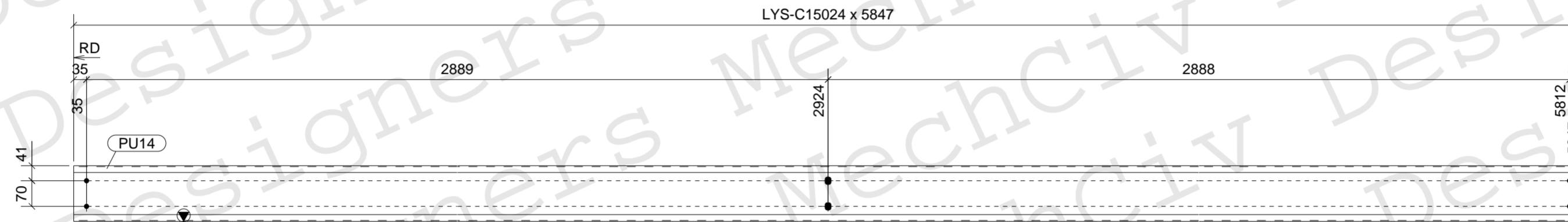
**General Notes**

Paint Specification:-  
 Abrasive blast to Class 2 & 1/2 standard  
 One coat of Inorganic Zinc Silicate (75 microns)  
 Top colour coat od acrylic gloss (50 microns)  
 ALL WELD 6CEF/490/SP U.N.O

REV/NAME	DATE	DESCRIPTION

**PURLIN DETAILING SHEET**

NOTE: ALL HOLES ARE 18DIA X 22 Lg SLOTS UNLESS NOTED



**18 PURLIN[S] REQUIRED MK PU14**

MATERIAL LIST						
ITEM	No.OFF	SECTION	LENGTH	GRADE	WEIGHT(kg)	AREA(m <sup>2</sup> )
PU14	18	LYS-C15024	5847	G450	584.9	65.2
TOTAL:					584.9	65.2

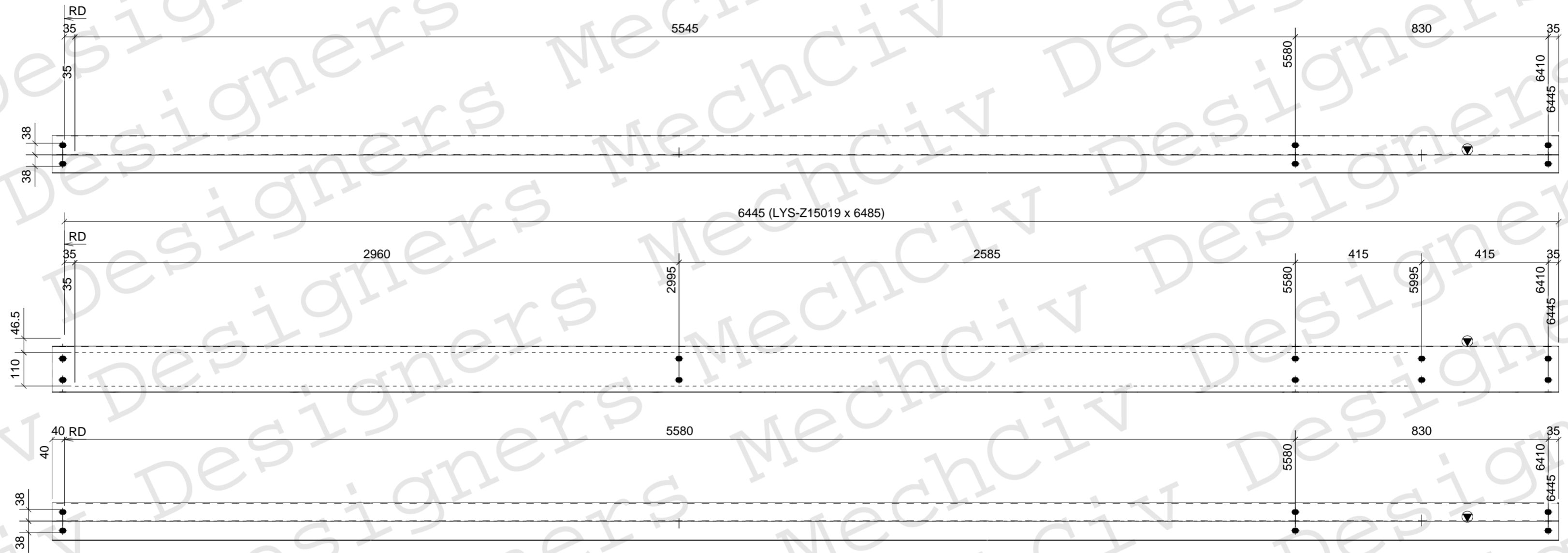
**General Notes**

Paint Specification:-  
 Abrasive blast to Class 2 & 1/2 standard  
 One coat of Inorganic Zinc Silicate (75 microns)  
 Top colour coat od acrylic gloss (50 microns)  
 ALL WELD 6CEF/490/SP U.N.O

REV	NAME	DATE	DESCRIPTION

**PURLIN DETAILING SHEET**

NOTE: ALL HOLES ARE 18DIA X 22 Lg SLOTS UNLESS NOTED



**3 PURLIN[S] REQUIRED MK PU15**

**General Notes**

Paint Specification:-  
 Abrasive blast to Class 2 & 1/2 standard  
 One coat of Inorganic Zinc Silicate (75 microns)  
 Top colour coat od acrylic gloss (50 microns)  
 ALL WELD 6CEF/490/SP U.N.O

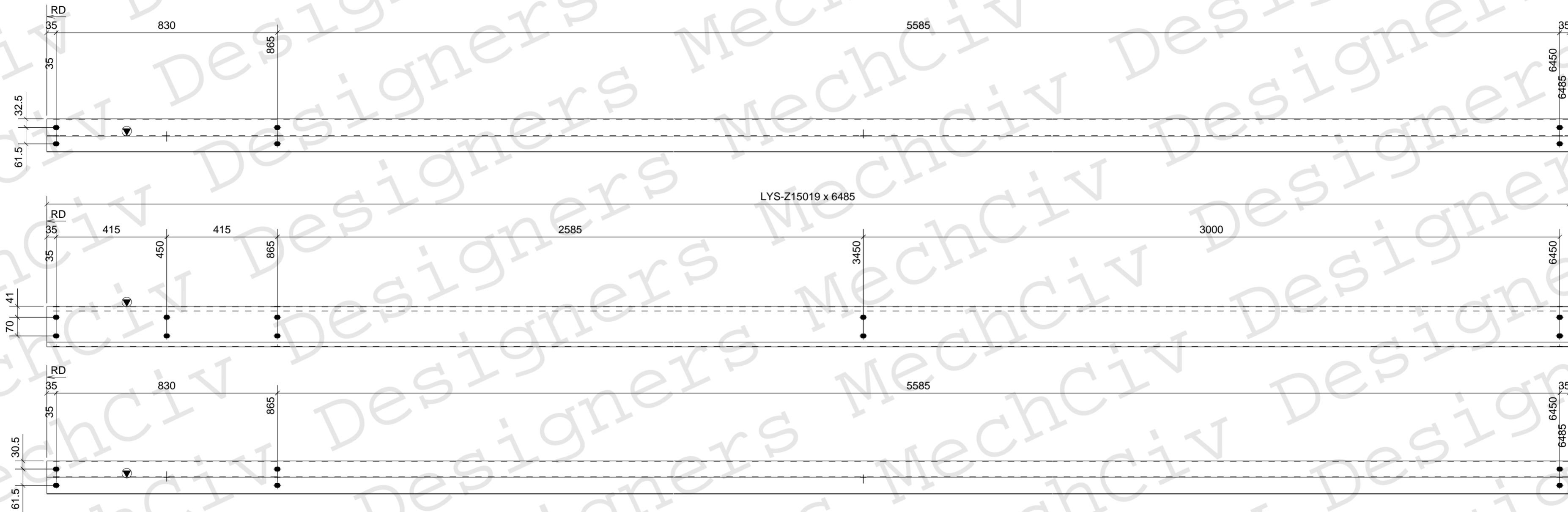
REV	NAME	DATE	DESCRIPTION

**MATERIAL LIST**

ITEM	No.OFF	SECTION	LENGTH	GRADE	WEIGHT(kg)	AREA(m <sup>2</sup> )
PU15	3	LYS-Z15019	6485	G450	85.6	12.0
TOTAL:					85.6	12.0

**PURLIN DETAILING SHEET**

NOTE: ALL HOLES ARE 18DIA X 22 Lg SLOTS UNLESS NOTED



**3 PURLIN[S] REQUIRED MK PU16**

MATERIAL LIST						
ITEM	No.OFF	SECTION	LENGTH	GRADE	WEIGHT(kg)	AREA(m <sup>2</sup> )
PU16	3	LYS-Z15019	6485	G450	85.6	12.0
TOTAL:					85.6	12.0

**General Notes**

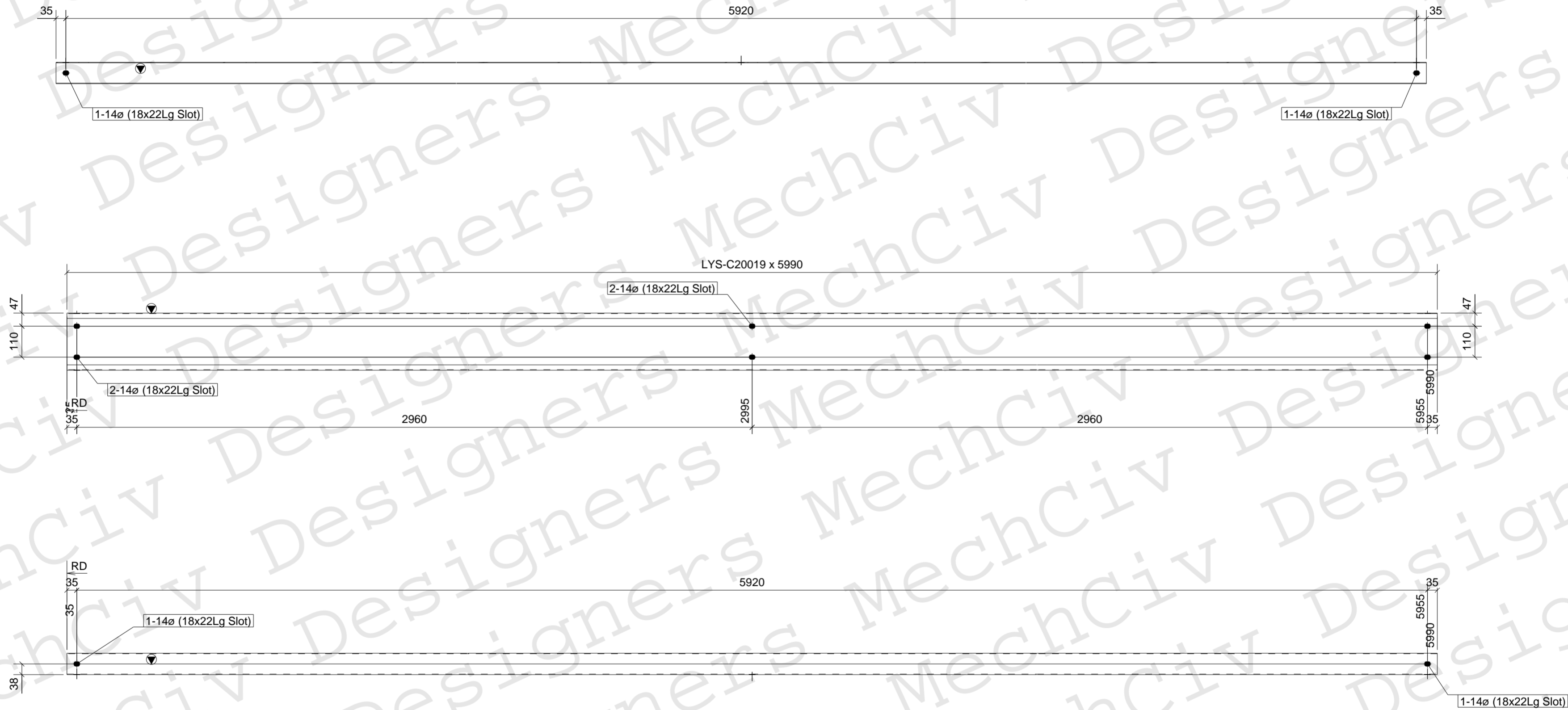
Paint Specification:-  
 Abrasive blast to Class 2 & 1/2 standard  
 One coat of Inorganic Zinc Silicate (75 microns)  
 Top colour coat of acrylic gloss (50 microns)  
 ALL WELD 6CEF/490/SP U.N.O

REV	NAME	DATE	DESCRIPTION



# PURLIN DETAILING SHEET

NOTE: ALL HOLES ARE 18DIA X 22 Lg SLOTS UNLESS NOTED



5 PURLIN[S] REQUIRED MK PU17

MATERIAL LIST						
ITEM	No.OFF	SECTION	LENGTH	GRADE	WEIGHT(kg)	AREA(m <sup>2</sup> )
PU17	5	LYS-C20019	5990	G450	167.5	23.2
TOTAL:					167.5	23.2

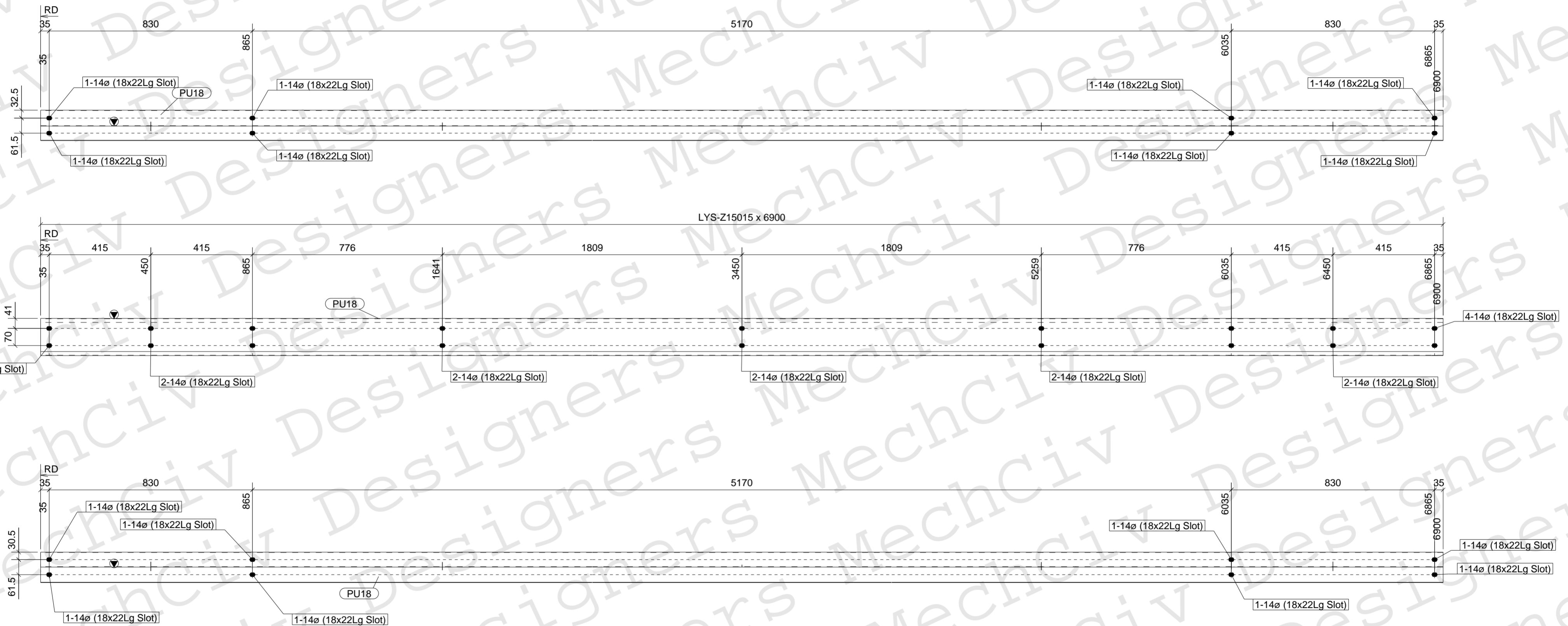
### General Notes

Paint Specification:-  
 Abrasive blast to Class 2 & 1/2 standard  
 One coat of Inorganic Zinc Silicate (75 microns)  
 Top colour coat od acrylic gloss (50 microns)  
 ALL WELD 6CEF/490/SP U.N.O

REV	NAME	DATE	DESCRIPTION

# PURLIN DETAILING SHEET

NOTE: ALL HOLES ARE 18DIA X 22 Lg SLOTS UNLESS NOTED



**25 PURLIN[S] REQUIRED MK PU18**

MATERIAL LIST						
ITEM	No.OFF	SECTION	LENGTH	GRADE	WEIGHT(kg)	AREA(m <sup>2</sup> )
PU18	25	LYS-Z15015	6900	G450	599.2	105.8
TOTAL:					599.2	105.8

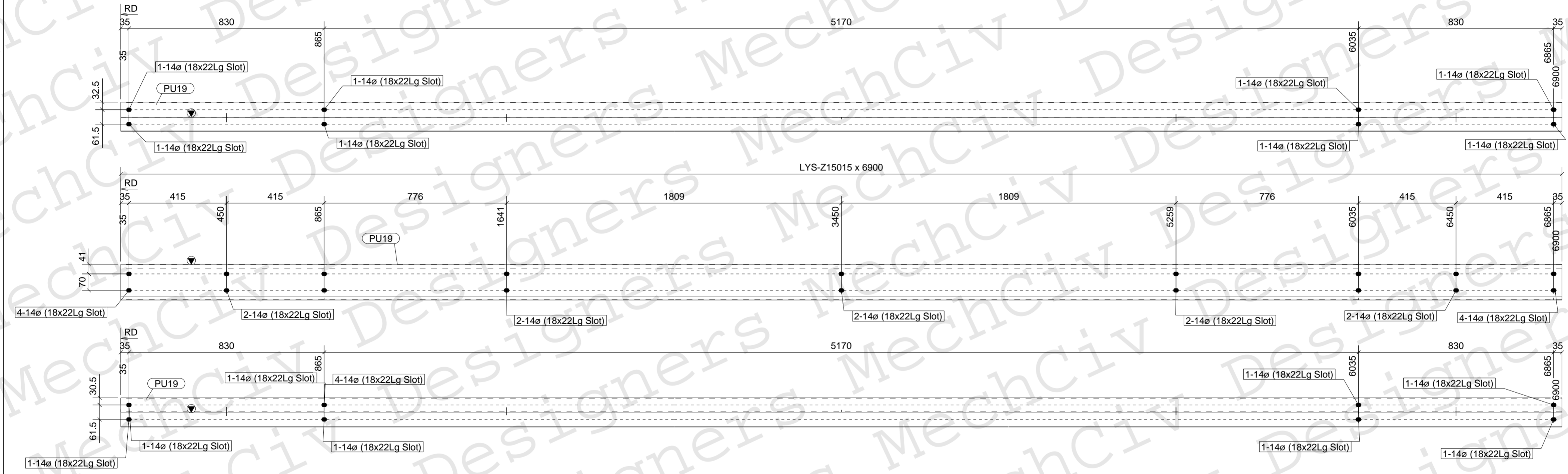
### General Notes

Paint Specification:-  
 Abrasive blast to Class 2 & 1/2 standard  
 One coat of Inorganic Zinc Silicate (75 microns)  
 Top colour coat od acrylic gloss (50 microns)  
 ALL WELD 6CEF/490/SP U.N.O

REV/NAME	DATE	DESCRIPTION

**PURLIN DETAILING SHEET**

NOTE: ALL HOLES ARE 18DIA X 22 Lg SLOTS UNLESS NOTED



**10 PURLIN[S] REQUIRED MK PU19**

MATERIAL LIST						
ITEM	No.OFF	SECTION	LENGTH	GRADE	WEIGHT(kg)	AREA(m <sup>2</sup> )
PU19	10	LYS-Z15015	6900	G450	239.7	42.3
TOTAL:					239.7	42.3

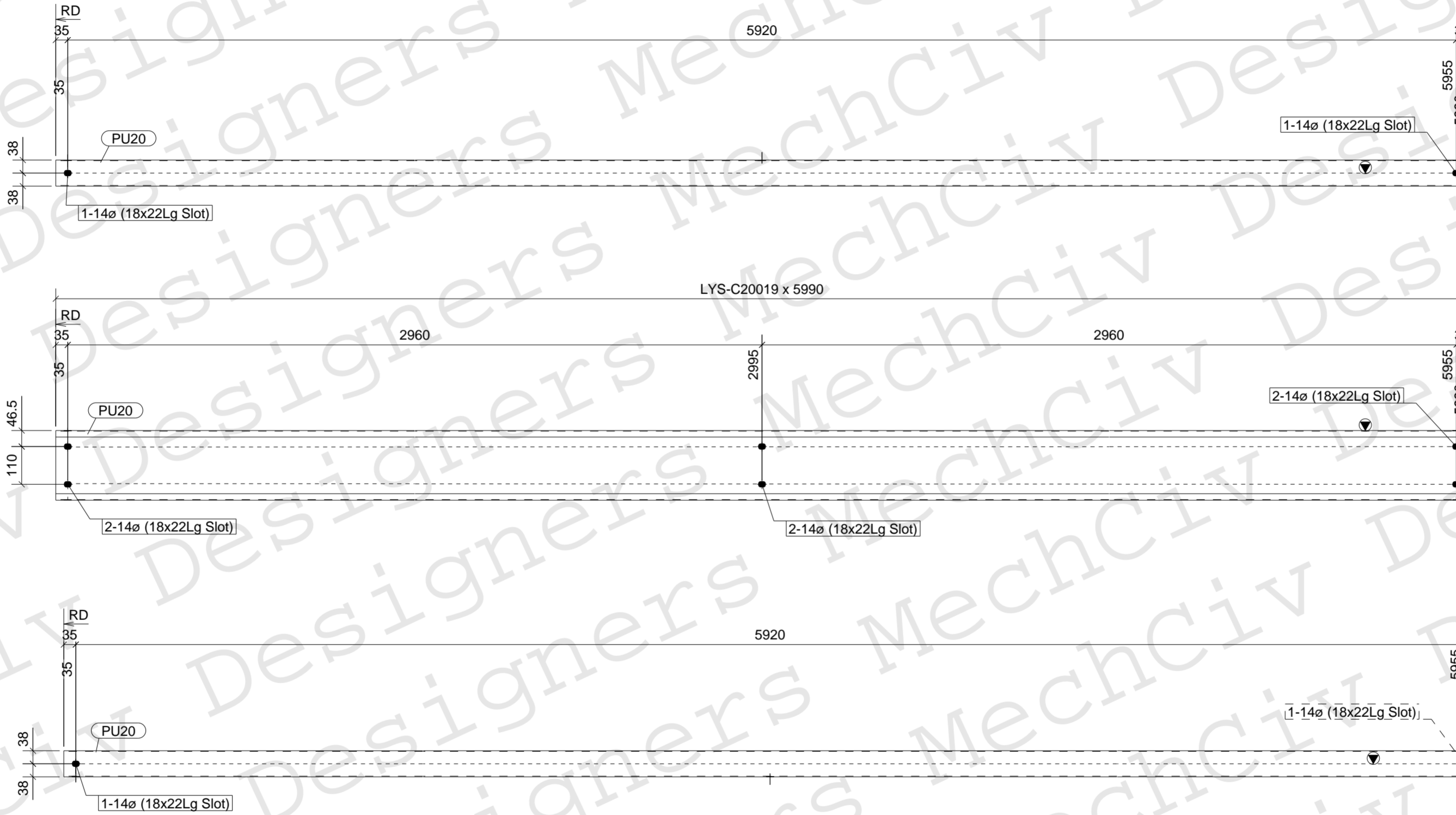
**General Notes**

Paint Specification:-  
 Abrasive blast to Class 2 & 1/2 standard  
 One coat of Inorganic Zinc Silicate (75 microns)  
 Top colour coat od acrylic gloss (50 microns)  
 ALL WELD 6CEF/490/SP U.N.O

REV/NAME	DATE	DESCRIPTION

**PURLIN DETAILING SHEET**

NOTE: ALL HOLES ARE 18DIA X 22 Lg SLOTS UNLESS NOTED



**5 PURLIN[S] REQUIRED MK PU20**

MATERIAL LIST						
ITEM	No.OFF	SECTION	LENGTH	GRADE	WEIGHT(kg)	AREA(m <sup>2</sup> )
PU20	5	LYS-C20019	5990	G450	167.5	23.2
TOTAL:					167.5	23.2

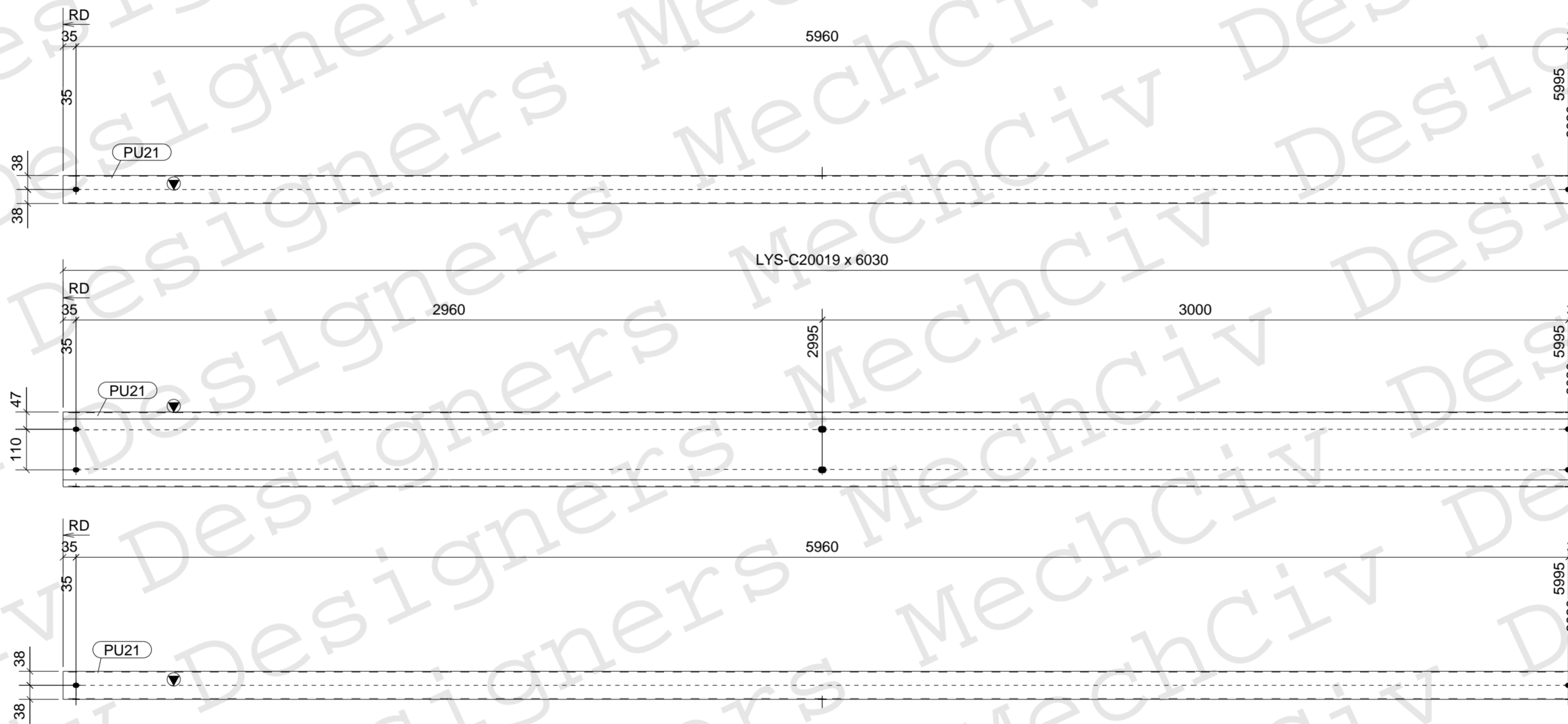
**General Notes**

Paint Specification:-  
 Abrasive blast to Class 2 & 1/2 standard  
 One coat of Inorganic Zinc Silicate (75 microns)  
 Top colour coat od acrylic gloss (50 microns)  
 ALL WELD 6CEF/490/SP U.N.O

REV/NAME	DATE	DESCRIPTION

**PURLIN DETAILING SHEET**

NOTE: ALL HOLES ARE 18DIA X 22 Lg SLOTS UNLESS NOTED



**1 PURLIN[S] REQUIRED MK PU21**

MATERIAL LIST						
ITEM	No.OFF	SECTION	LENGTH	GRADE	WEIGHT(kg)	AREA(m <sup>2</sup> )
PU21	1	LYS-C20019	6030	G450	33.7	4.7
TOTAL:					33.7	4.7

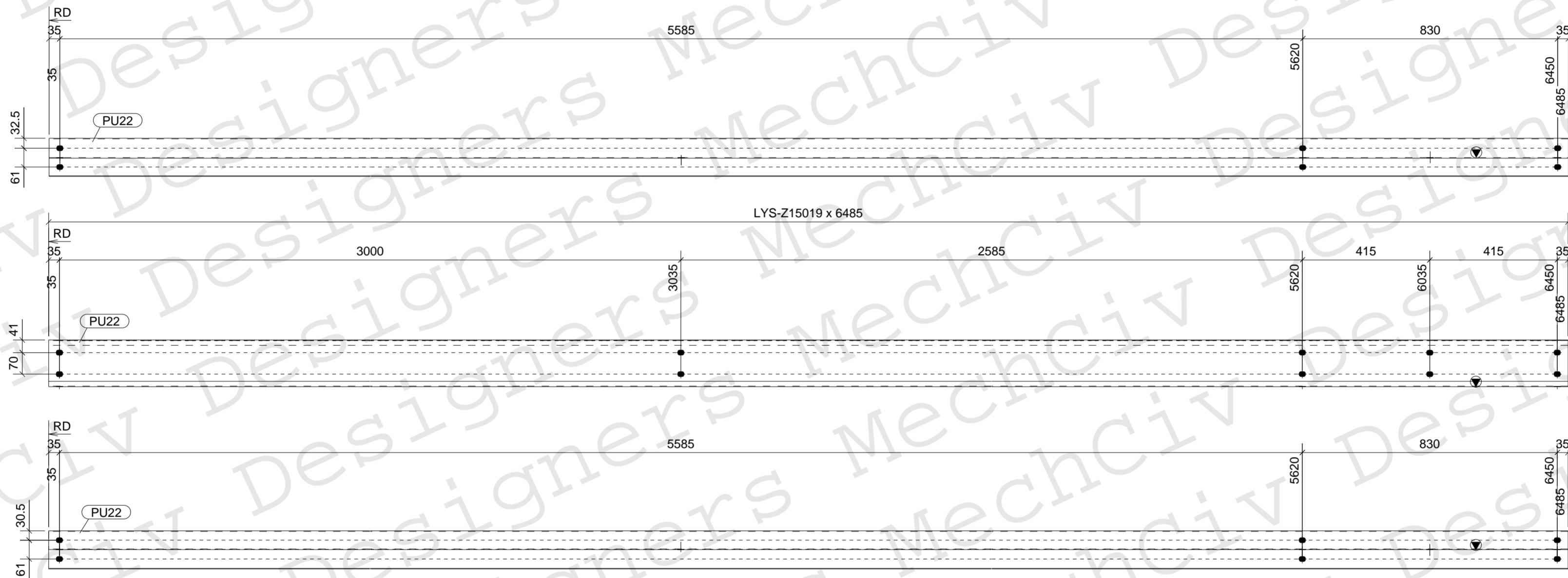
**General Notes**

Paint Specification:-  
 Abrasive blast to Class 2 & 1/2 standard  
 One coat of Inorganic Zinc Silicate (75 microns)  
 Top colour coat od acrylic gloss (50 microns)  
 ALL WELD 6CEF/490/SP U.N.O

REV/NAME	DATE	DESCRIPTION

**PURLIN DETAILING SHEET**

NOTE: ALL HOLES ARE 18DIA X 22 Lg SLOTS UNLESS NOTED



**1 PURLIN[S] REQUIRED MK PU22**

MATERIAL LIST						
ITEM	No.OFF	SECTION	LENGTH	GRADE	WEIGHT(kg)	AREA(m <sup>2</sup> )
PU22	1	LYS-Z15019	6485	G450	28.5	4.0
TOTAL:					28.5	4.0

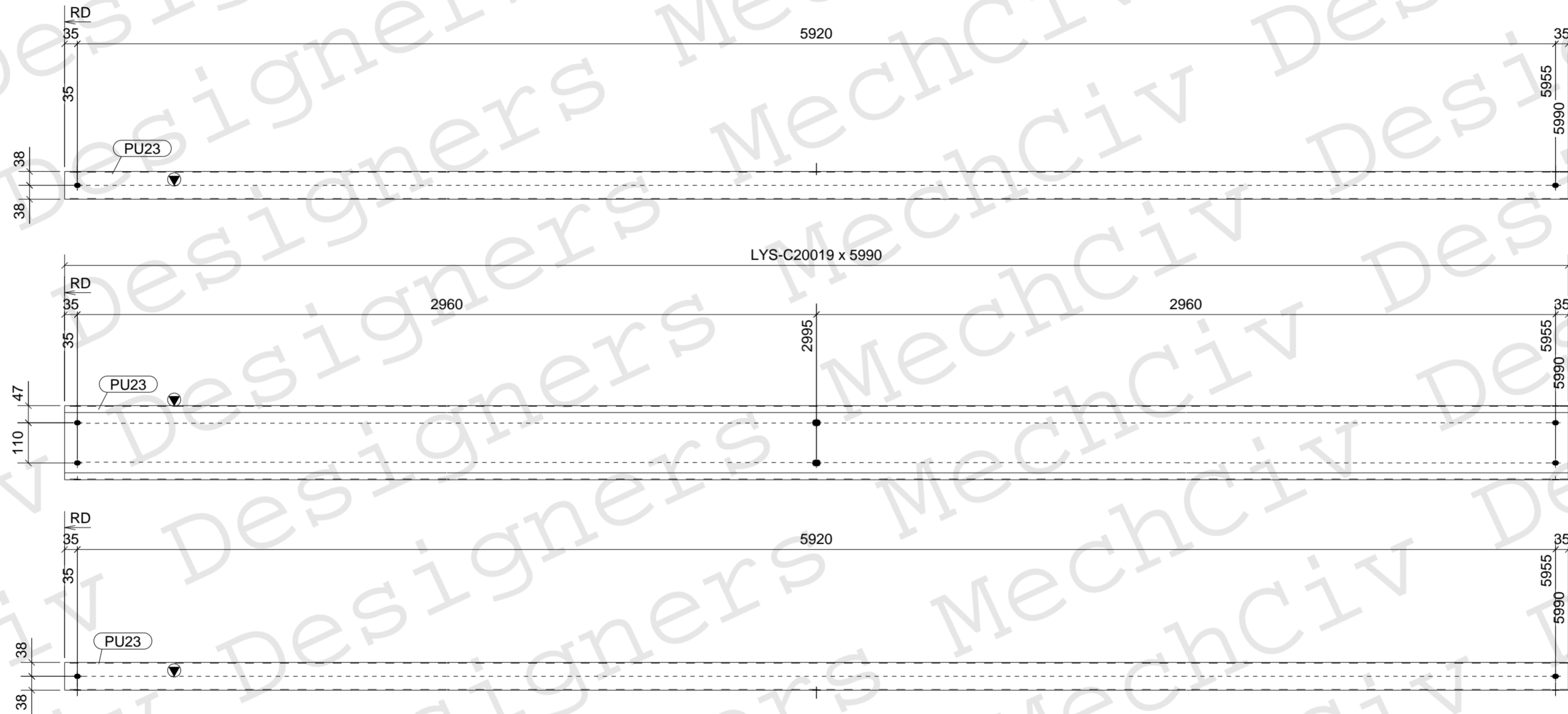
**General Notes**

Paint Specification:-  
 Abrasive blast to Class 2 & 1/2 standard  
 One coat of Inorganic Zinc Silicate (75 microns)  
 Top colour coat od acrylic gloss (50 microns)  
 ALL WELD 6CEF/490/SP U.N.O

REV	NAME	DATE	DESCRIPTION

**PURLIN DETAILING SHEET**

NOTE: ALL HOLES ARE 18DIA X 22 Lg SLOTS UNLESS NOTED



**1 PURLIN[S] REQUIRED MK PU23**

MATERIAL LIST						
ITEM	No.OFF	SECTION	LENGTH	GRADE	WEIGHT(kg)	AREA(m <sup>2</sup> )
PU23	1	LYS-C20019	5990	G450	33.5	4.6
TOTAL:					33.5	4.6

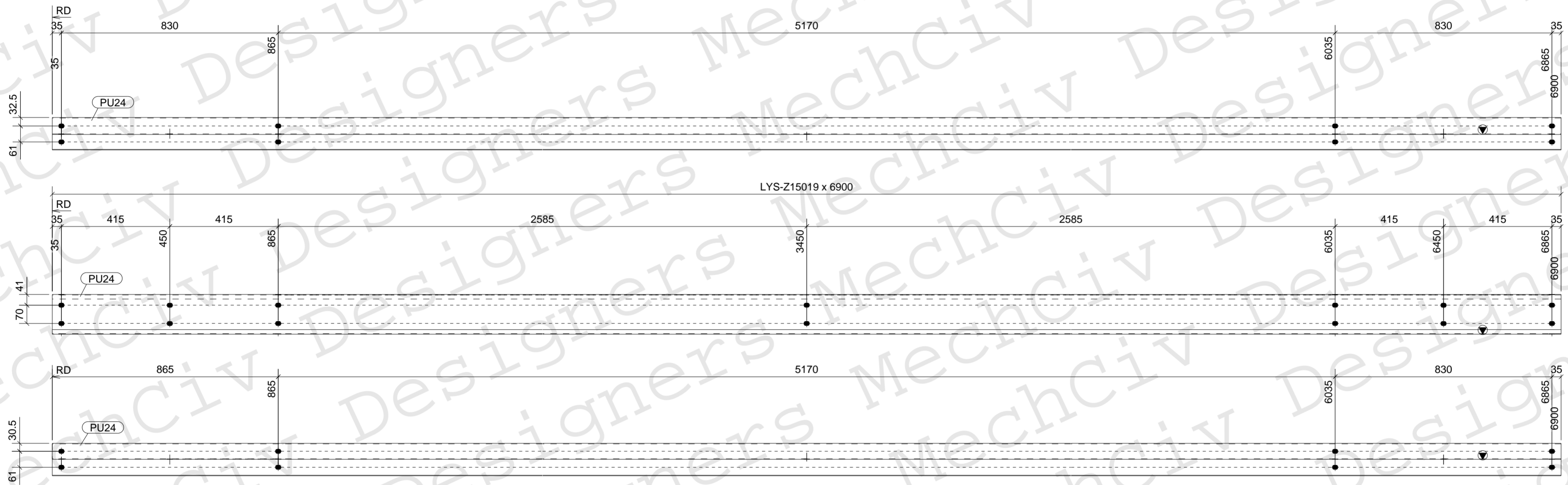
**General Notes**

Paint Specification:-  
 Abrasive blast to Class 2 & 1/2 standard  
 One coat of Inorganic Zinc Silicate (75 microns)  
 Top colour coat od acrylic gloss (50 microns)  
 ALL WELD 6CEF/490/SP U.N.O

REV/NAME	DATE	DESCRIPTION

**PURLIN DETAILING SHEET**

NOTE: ALL HOLES ARE 18DIA X 22 Lg SLOTS UNLESS NOTED



**1 PURLIN[S] REQUIRED MK PU24**

MATERIAL LIST						
ITEM	No.OFF	SECTION	LENGTH	GRADE	WEIGHT(kg)	AREA(m <sup>2</sup> )
PU24	1	LYS-Z15019	6900	G450	30.4	4.2
TOTAL:					30.4	4.2

**General Notes**

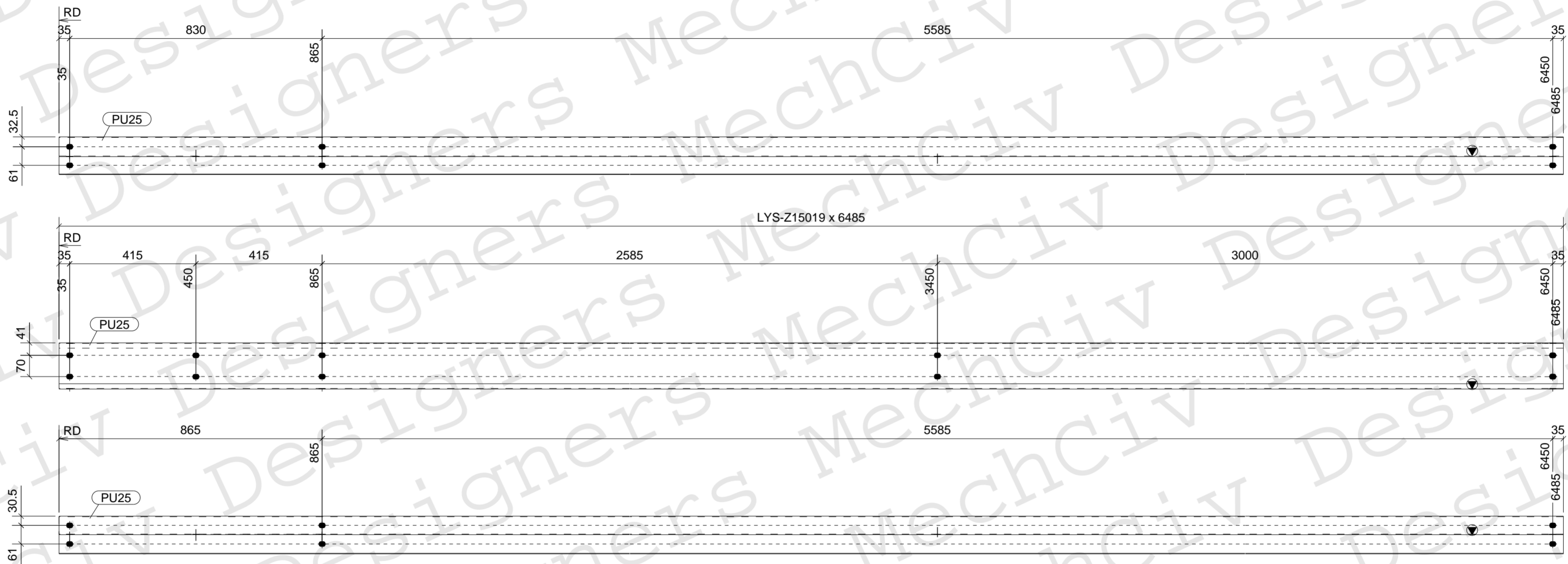
Paint Specification:-  
 Abrasive blast to Class 2 & 1/2 standard  
 One coat of Inorganic Zinc Silicate (75 microns)  
 Top colour coat od acrylic gloss (50 microns)  
 ALL WELD 6CEF/490/SP U.N.O

REV	NAME	DATE	DESCRIPTION



# PURLIN DETAILING SHEET

NOTE: ALL HOLES ARE 18DIA X 22 Lg SLOTS UNLESS NOTED



1 PURLIN[S] REQUIRED MK PU25

### General Notes

Paint Specification:-  
 Abrasive blast to Class 2 & 1/2 standard  
 One coat of Inorganic Zinc Silicate (75 microns)  
 Top colour coat od acrylic gloss (50 microns)  
 ALL WELD 6CEF/490/SP U.N.O

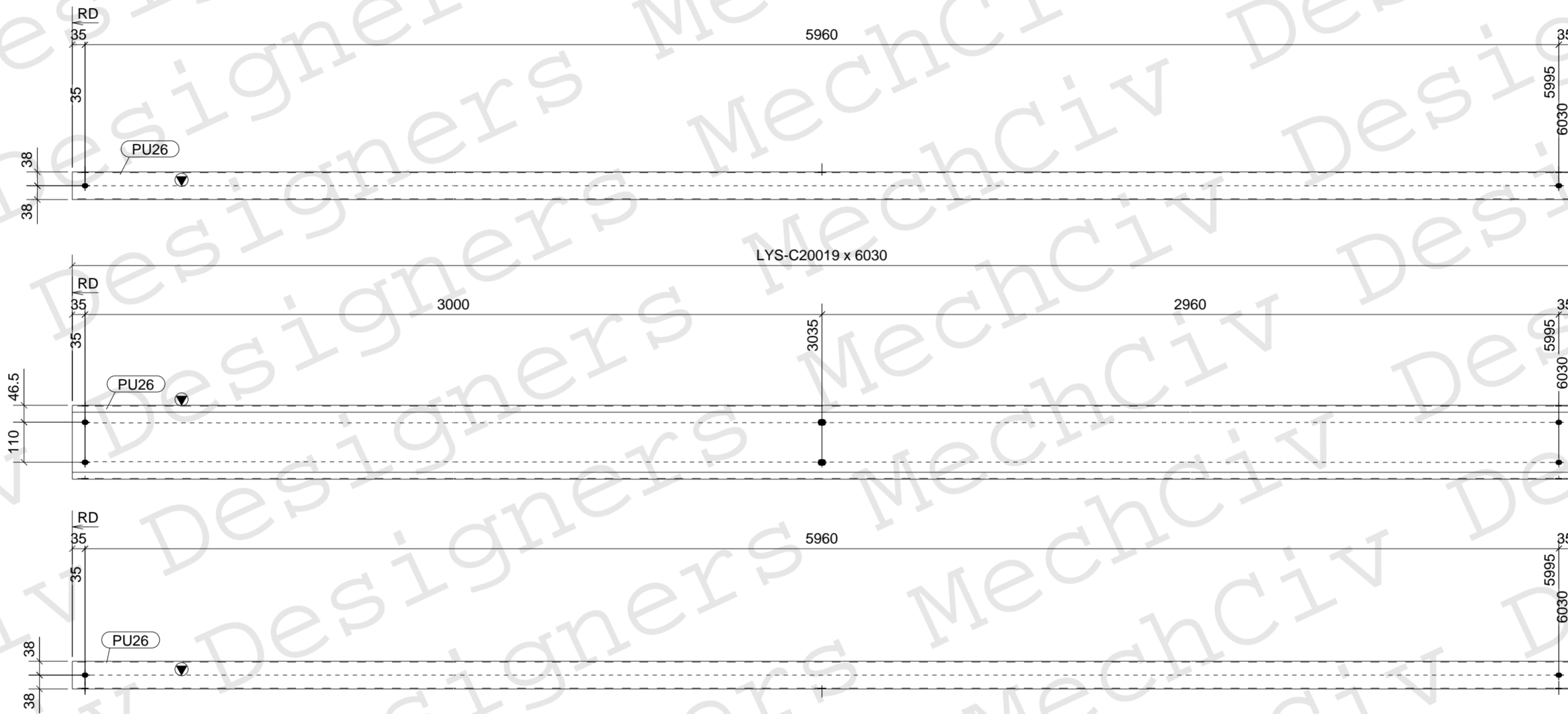
REV	NAME	DATE	DESCRIPTION

### MATERIAL LIST

ITEM	No.OFF	SECTION	LENGTH	GRADE	WEIGHT(kg)	AREA(m <sup>2</sup> )
PU25	1	LYS-Z15019	6485	G450	28.5	4.0
TOTAL:					28.5	4.0

**PURLIN DETAILING SHEET**

NOTE: ALL HOLES ARE 18DIA X 22 Lg SLOTS UNLESS NOTED



**1 PURLIN[S] REQUIRED MK PU26**

**General Notes**

Paint Specification:-  
 Abrasive blast to Class 2 & 1/2 standard  
 One coat of Inorganic Zinc Silicate (75 microns)  
 Top colour coat od acrylic gloss (50 microns)  
 ALL WELD 6CEF/490/SP U.N.O

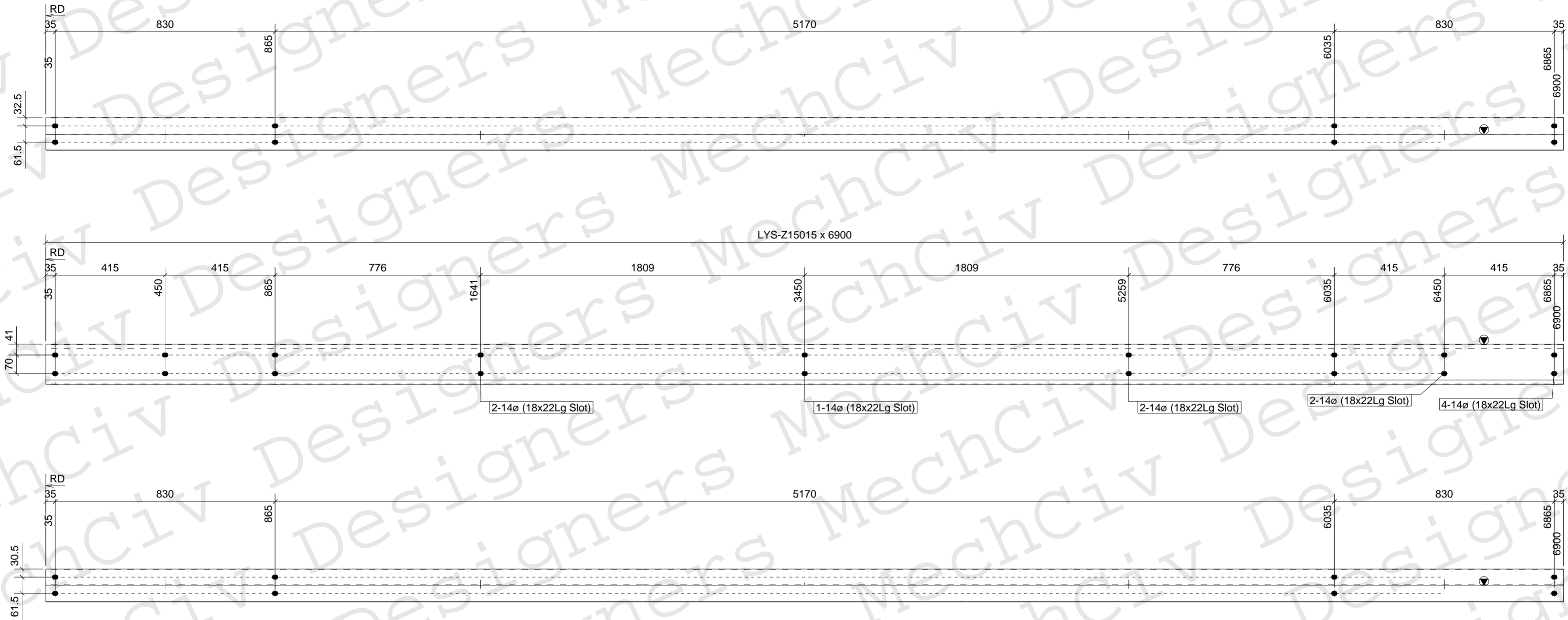
REV	NAME	DATE	DESCRIPTION

**MATERIAL LIST**

ITEM	No.OFF	SECTION	LENGTH	GRADE	WEIGHT(kg)	AREA(m <sup>2</sup> )
PU26	1	LYS-C20019	6030	G450	33.7	4.7
TOTAL:					33.7	4.7

**PURLIN DETAILING SHEET**

NOTE: ALL HOLES ARE 18DIA X 22 Lg SLOTS UNLESS NOTED



**35 PURLIN[S] REQUIRED MK PU27**

MATERIAL LIST						
ITEM	No.OFF	SECTION	LENGTH	GRADE	WEIGHT(kg)	AREA(m <sup>2</sup> )
PU27	35	LYS-Z15015	6900	G450	838.9	148.1
TOTAL:					838.9	148.1

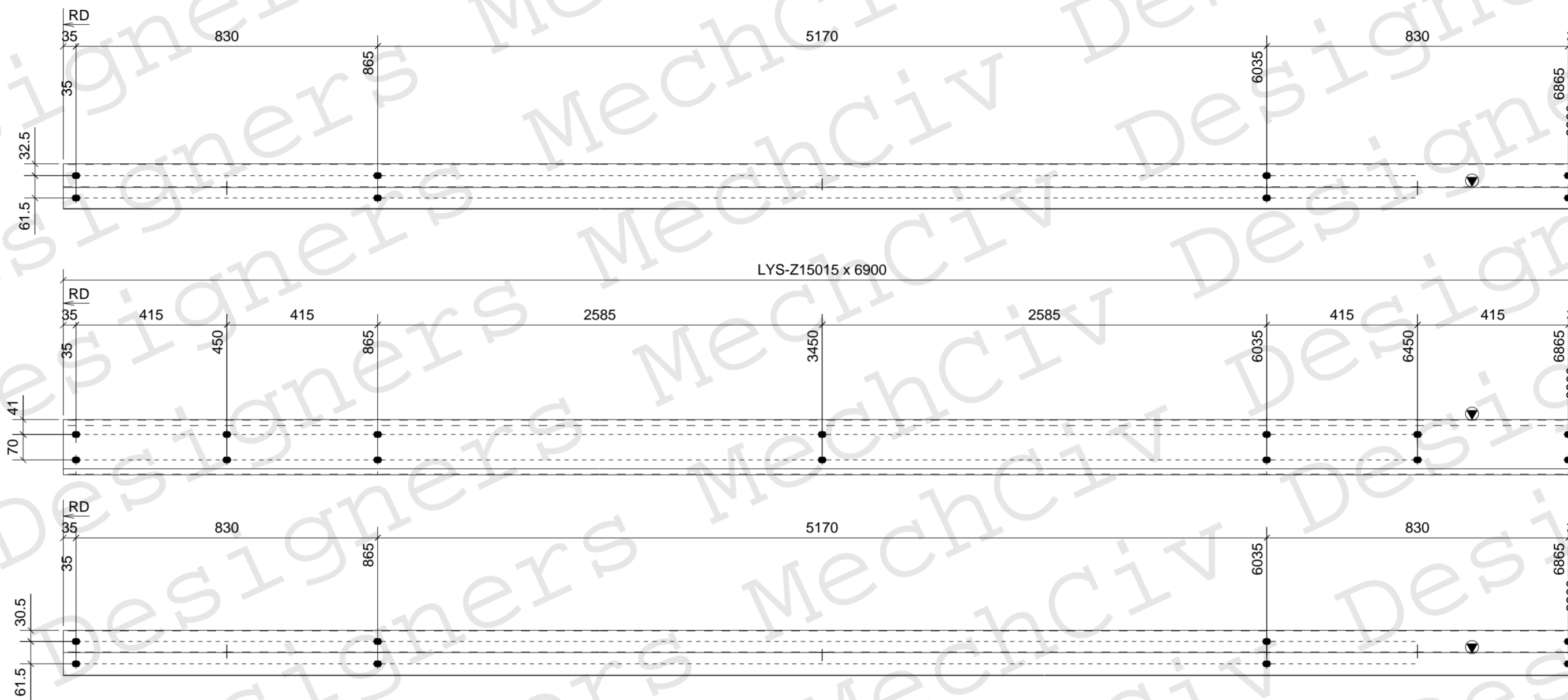
**General Notes**

Paint Specification:-  
 Abrasive blast to Class 2 & 1/2 standard  
 One coat of Inorganic Zinc Silicate (75 microns)  
 Top colour coat od acrylic gloss (50 microns)  
 ALL WELD 6CEF/490/SP U.N.O

REV	NAME	DATE	DESCRIPTION

**PURLIN DETAILING SHEET**

NOTE: ALL HOLES ARE 18DIA X 22 Lg SLOTS UNLESS NOTED



**30 PURLIN[S] REQUIRED MK PU28**

**General Notes**

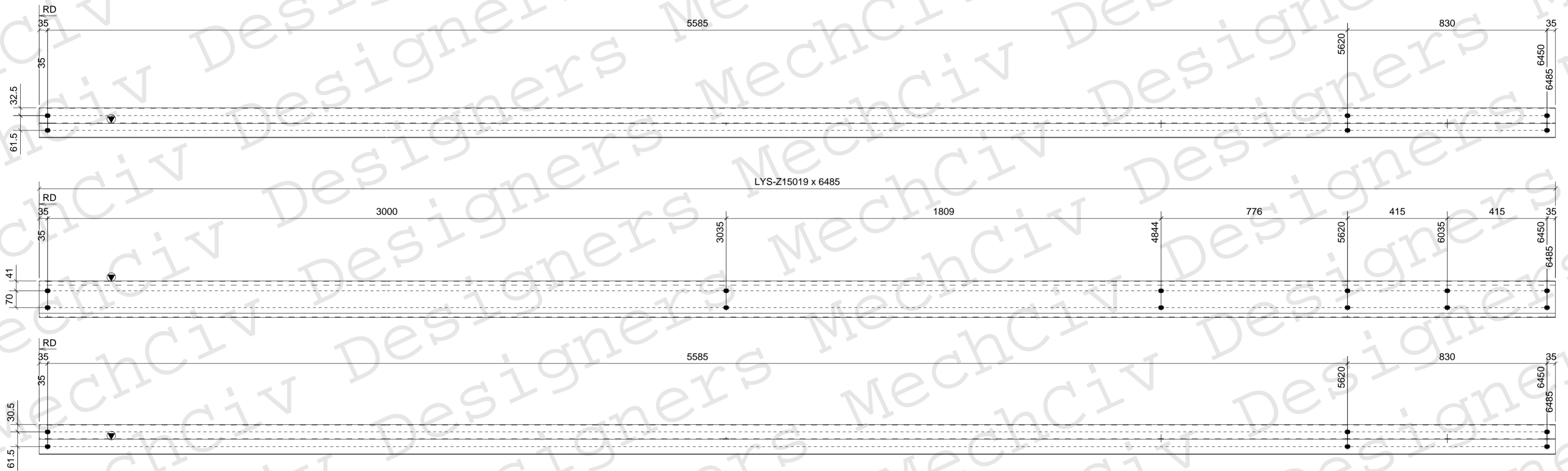
Paint Specification:-  
 Abrasive blast to Class 2 & 1/2 standard  
 One coat of Inorganic Zinc Silicate (75 microns)  
 Top colour coat of acrylic gloss (50 microns)  
 ALL WELD 6CEF/490/SP U.N.O

REV	NAME	DATE	DESCRIPTION
C	KS	24/09/21	RE-ISSUED FOR APPROVAL
B	KS	03/09/21	RE-ISSUED FOR APPROVAL
A	PP	19/08/21	ISSUED FOR APPROVAL

MATERIAL LIST						
ITEM	No.OFF	SECTION	LENGTH	GRADE	WEIGHT(kg)	AREA(m <sup>2</sup> )
PU28	30	LYS-Z15015	6900	G450	719.0	126.9
TOTAL:					719.0	126.9

**PURLIN DETAILING SHEET**

NOTE: ALL HOLES ARE 18DIA X 22 Lg SLOTS UNLESS NOTED



**1 PURLIN[S] REQUIRED MK PU29**

**General Notes**

Paint Specification:-  
 Abrasive blast to Class 2 & 1/2 standard  
 One coat of Inorganic Zinc Silicate (75 microns)  
 Top colour coat od acrylic gloss (50 microns)  
 ALL WELD 6CEF/490/SP U.N.O

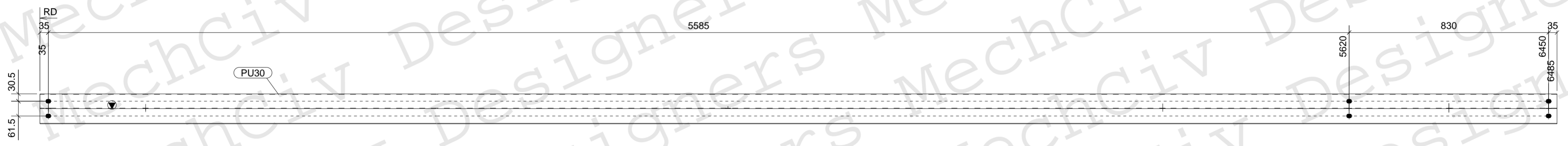
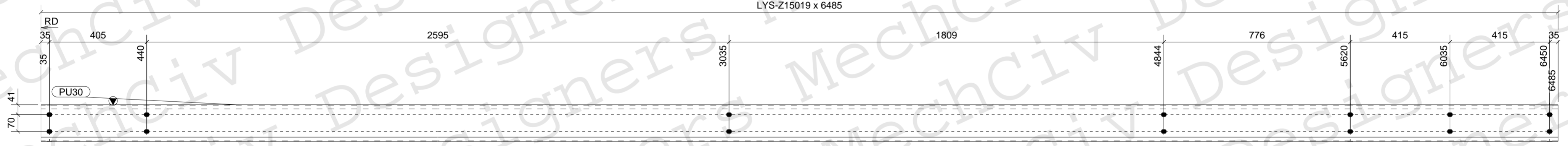
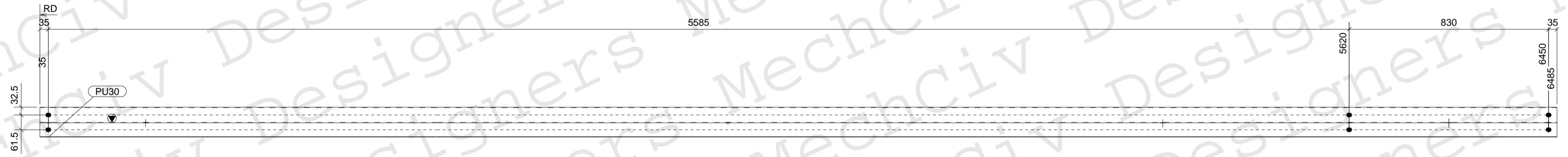
REV	NAME	DATE	DESCRIPTION

**MATERIAL LIST**

ITEM	No.OFF	SECTION	LENGTH	GRADE	WEIGHT(kg)	AREA(m <sup>2</sup> )
PU29	1	LYS-Z15019	6485	G450	28.5	4.0
TOTAL:					28.5	4.0

# PURLIN DETAILING SHEET

NOTE: ALL HOLES ARE 18DIA X 22 Lg SLOTS UNLESS NOTED



**6 PURLIN[S] REQUIRED MK PU30**

MATERIAL LIST						
ITEM	No.OFF	SECTION	LENGTH	GRADE	WEIGHT(kg)	AREA(m <sup>2</sup> )
PU30	6	LYS-Z15019	6485	G450	171.2	23.9
TOTAL:					171.2	23.9

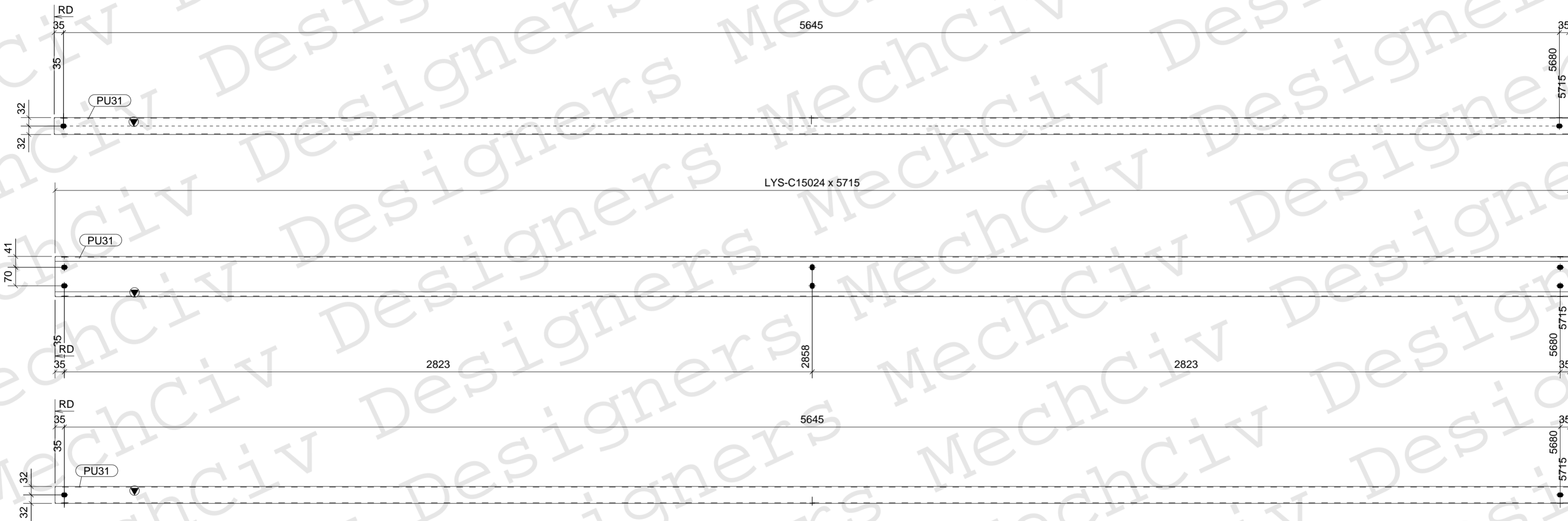
### General Notes

Paint Specification:-  
 Abrasive blast to Class 2 & 1/2 standard  
 One coat of Inorganic Zinc Silicate (75 microns)  
 Top colour coat od acrylic gloss (50 microns)  
 ALL WELD 6CEF/490/SP U.N.O

REV/NAME	DATE	DESCRIPTION

# PURLIN DETAILING SHEET

NOTE: ALL HOLES ARE 18DIA X 22 Lg SLOTS UNLESS NOTED



**1 PURLIN[S] REQUIRED MK PU31**

MATERIAL LIST						
ITEM	No.OFF	SECTION	LENGTH	GRADE	WEIGHT(kg)	AREA(m <sup>2</sup> )
PU31	1	LYS-C15024	5715	G450	31.8	3.5
TOTAL:					31.8	3.5

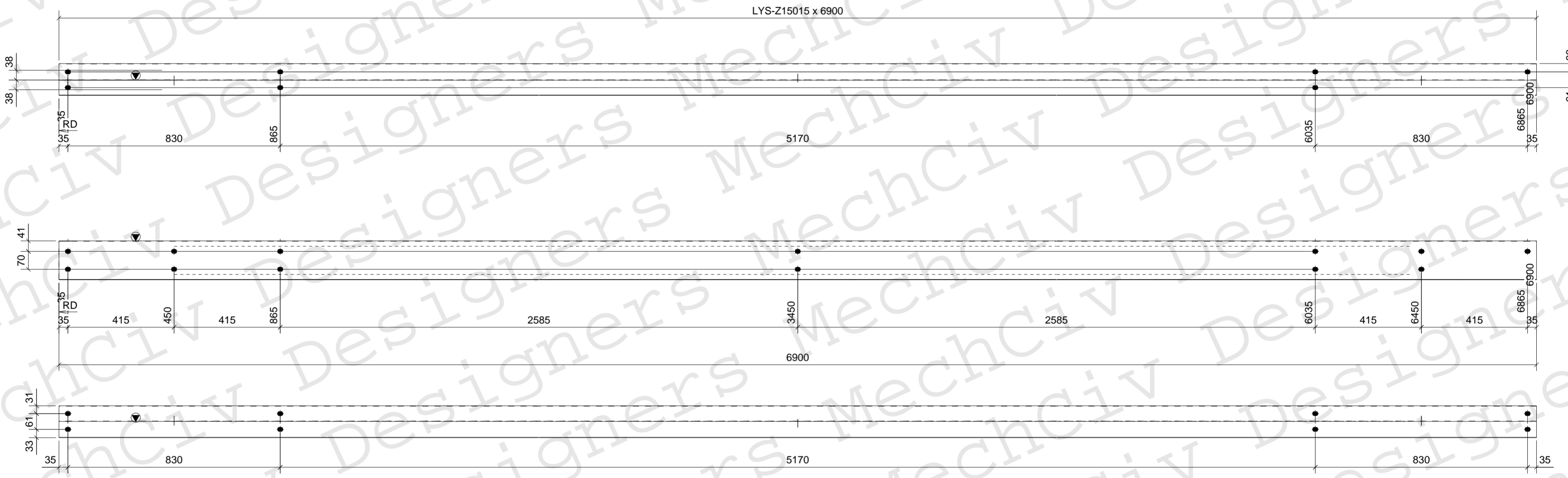
### General Notes

Paint Specification:-  
 Abrasive blast to Class 2 & 1/2 standard  
 One coat of Inorganic Zinc Silicate (75 microns)  
 Top colour coat od acrylic gloss (50 microns)  
 ALL WELD 6CEF/490/SP U.N.O

REV	NAME	DATE	DESCRIPTION

**PURLIN DETAILING SHEET**

NOTE: ALL HOLES ARE 18DIA X 22 Lg SLOTS UNLESS NOTED



**30 PURLIN[S] REQUIRED MK PU32**

MATERIAL LIST						
ITEM	No.OFF	SECTION	LENGTH	GRADE	WEIGHT(kg)	AREA(m <sup>2</sup> )
PU32	30	LYS-Z15015	6900	G450	719.0	126.9
TOTAL:					719.0	126.9

**General Notes**

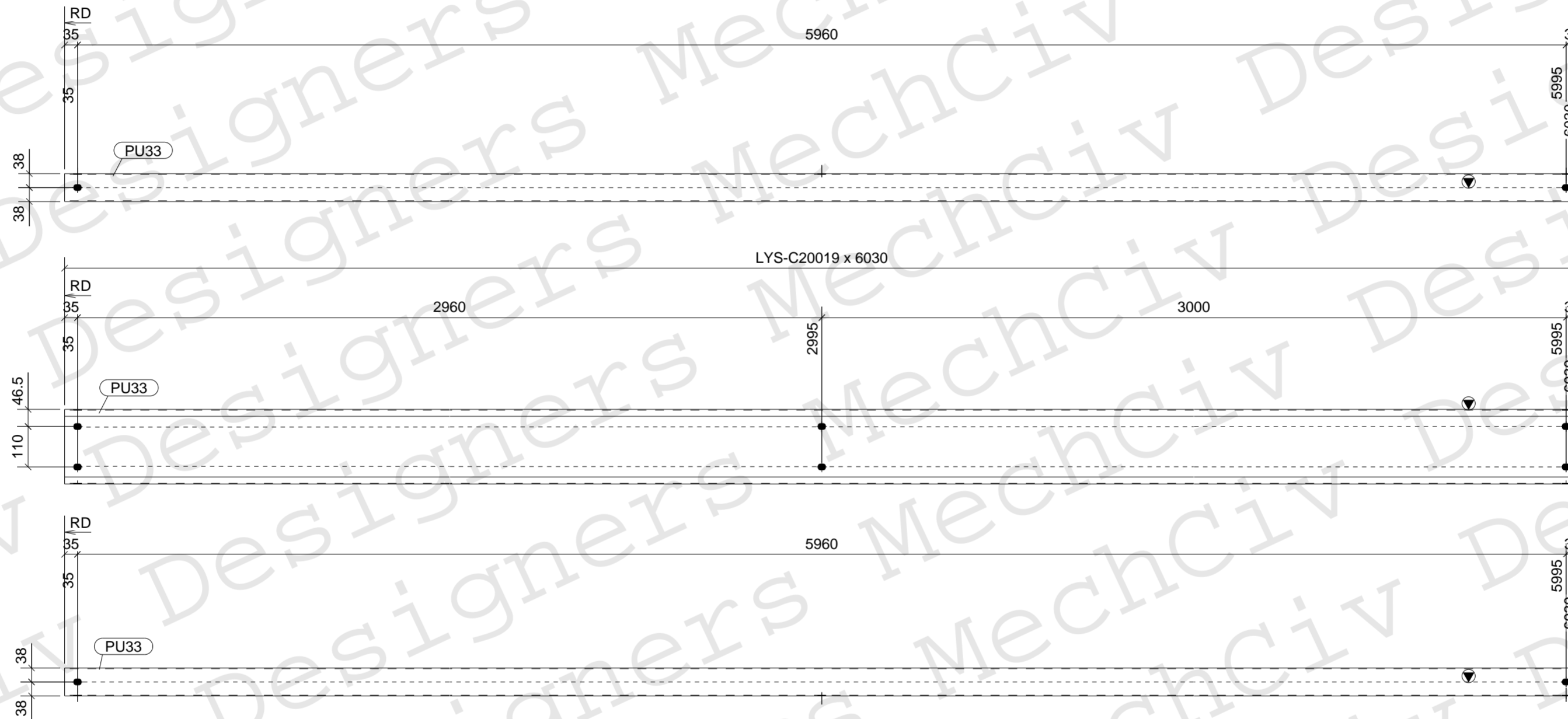
Paint Specification:-  
 Abrasive blast to Class 2 & 1/2 standard  
 One coat of Inorganic Zinc Silicate (75 microns)  
 Top colour coat od acrylic gloss (50 microns)  
 ALL WELD 6CEF/490/SP U.N.O

REV	NAME	DATE	DESCRIPTION



**PURLIN DETAILING SHEET**

NOTE: ALL HOLES ARE 18DIA X 22 Lg SLOTS UNLESS NOTED



**1 PURLIN[S] REQUIRED MK PU33**

**General Notes**

Paint Specification:-  
 Abrasive blast to Class 2 & 1/2 standard  
 One coat of Inorganic Zinc Silicate (75 microns)  
 Top colour coat od acrylic gloss (50 microns)  
 ALL WELD 6CEF/490/SP U.N.O

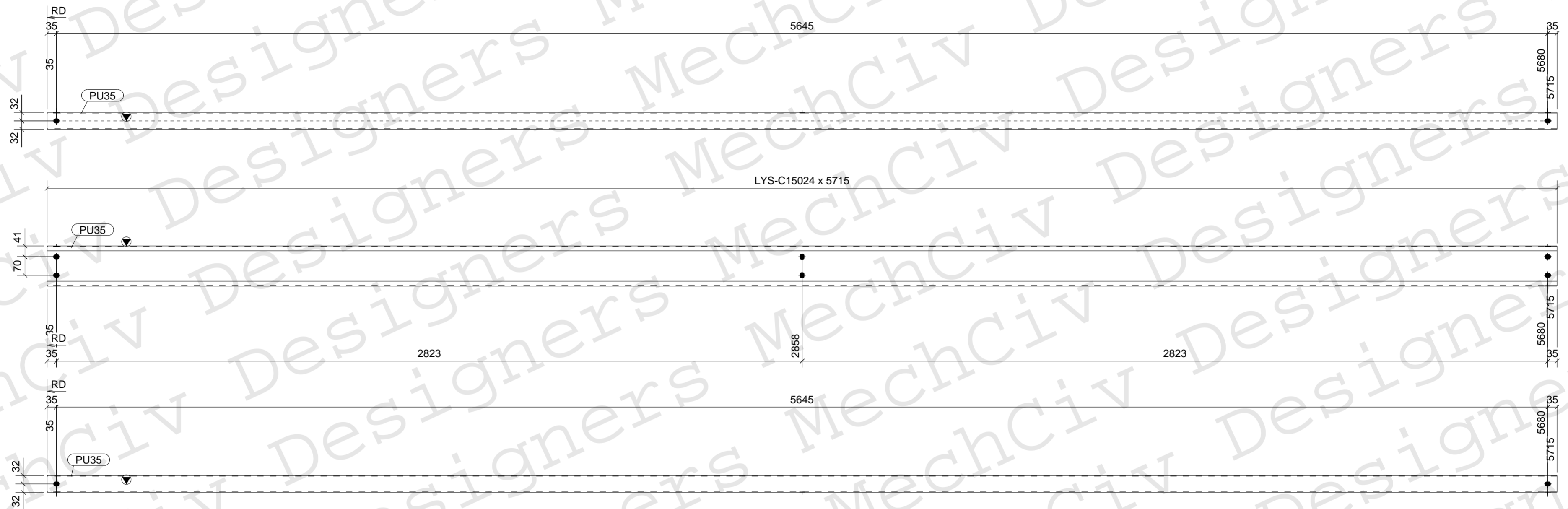
REV	NAME	DATE	DESCRIPTION

**MATERIAL LIST**

ITEM	No.OFF	SECTION	LENGTH	GRADE	WEIGHT(kg)	AREA(m <sup>2</sup> )
PU33	1	LYS-C20019	6030	G450	33.7	4.7
TOTAL:					33.7	4.7

# PURLIN DETAILING SHEET

NOTE: ALL HOLES ARE 18DIA X 22 Lg SLOTS UNLESS NOTED



**4 PURLIN[S] REQUIRED MK PU35**

MATERIAL LIST						
ITEM	No.OFF	SECTION	LENGTH	GRADE	WEIGHT(kg)	AREA(m <sup>2</sup> )
PU35	4	LYS-C15024	5715	G450	127.1	14.2
TOTAL:					127.1	14.2

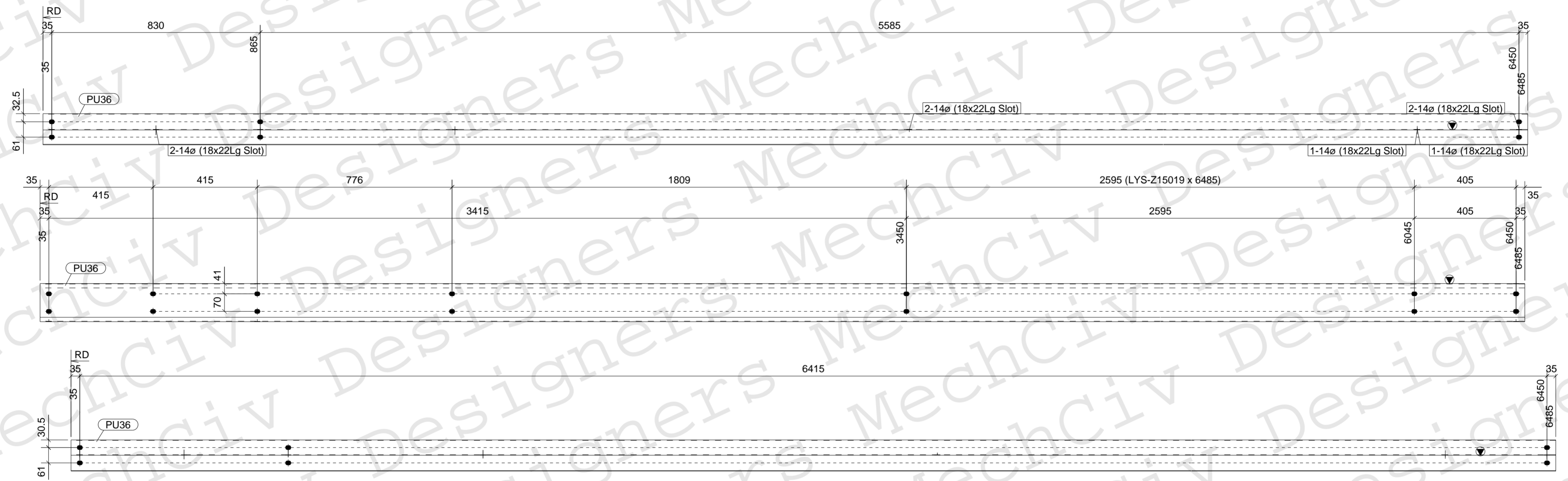
### General Notes

Paint Specification:-  
 Abrasive blast to Class 2 & 1/2 standard  
 One coat of Inorganic Zinc Silicate (75 microns)  
 Top colour coat od acrylic gloss (50 microns)  
 ALL WELD 6CEF/490/SP U.N.O

REV	NAME	DATE	DESCRIPTION

# PURLIN DETAILING SHEET

NOTE: ALL HOLES ARE 18DIA X 22 Lg SLOTS UNLESS NOTED



**6 PURLIN[S] REQUIRED MK PU36**

MATERIAL LIST						
ITEM	No.OFF	SECTION	LENGTH	GRADE	WEIGHT(kg)	AREA(m <sup>2</sup> )
PU36	6	LYS-Z15019	6485	G450	171.2	23.9
TOTAL:					171.2	23.9

### General Notes

Paint Specification:-  
 Abrasive blast to Class 2 & 1/2 standard  
 One coat of Inorganic Zinc Silicate (75 microns)  
 Top colour coat of acrylic gloss (50 microns)  
 ALL WELD 6CEF/490/SP U.N.O

REV	NAME	DATE	DESCRIPTION





















