

1 GIRT[S] REQUIRED MK GR1

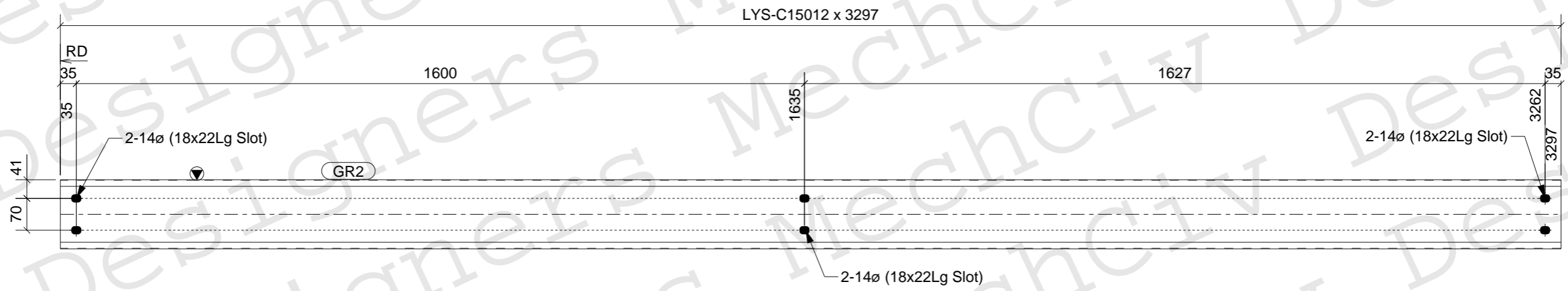
General Notes

Paint Specification:-
 Abrasive blast to Class 2 & 1/2 standard
 One coat of Inorganic Zinc Silicate (75 microns)
 Top colour coat od acrylic gloss (50 microns)
 ALL WELD 6CEF/490/SP U.N.O

REV	NAME	DATE	DESCRIPTION

MATERIAL LIST

ITEM	No.OFF	SECTION	LENGTH	GRADE	WEIGHT(kg)	AREA(m ²)
GR1	1	LYS-C15015	5794	G450	20.1	3.6
TOTAL:					20.1	3.6



1 GIRT[S] REQUIRED MK GR2

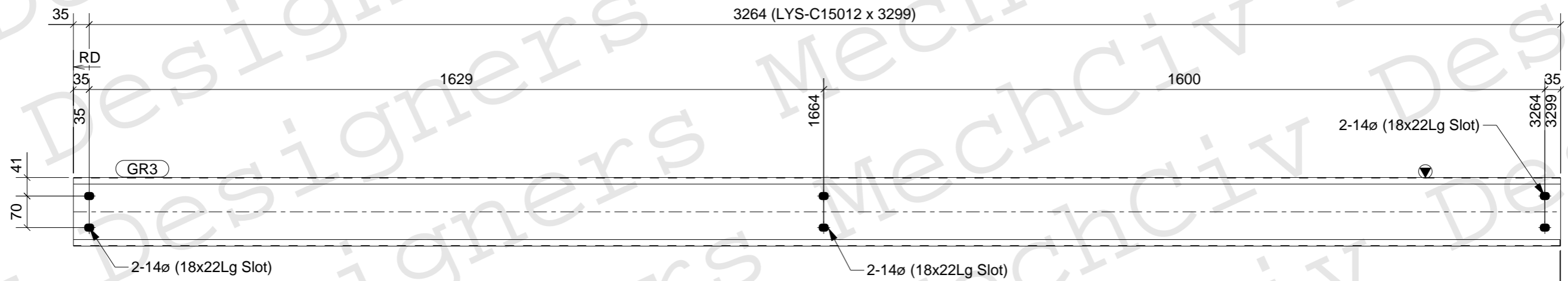
General Notes

Paint Specification:-
 Abrasive blast to Class 2 & 1/2 standard
 One coat of Inorganic Zinc Silicate (75 microns)
 Top colour coat od acrylic gloss (50 microns)
 ALL WELD 6CEF/490/SP U.N.O

REV	NAME	DATE	DESCRIPTION

MATERIAL LIST

ITEM	No.OFF	SECTION	LENGTH	GRADE	WEIGHT(kg)	AREA(m ²)
GR2	1	LYS-C15012	3297	G450	9.2	2.0
TOTAL:					9.2	2.0



1 GIRT[S] REQUIRED MK GR3

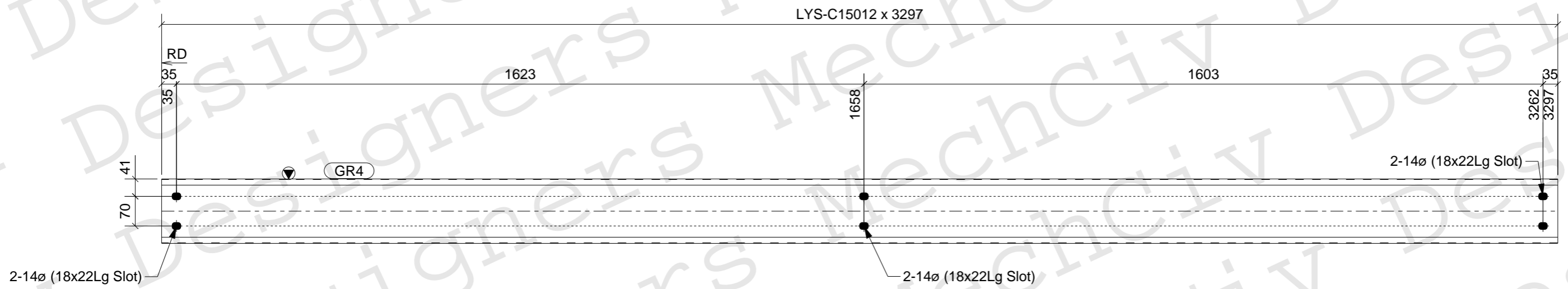
General Notes

Paint Specification:-
 Abrasive blast to Class 2 & 1/2 standard
 One coat of Inorganic Zinc Silicate (75 microns)
 Top colour coat od acrylic gloss (50 microns)
 ALL WELD 6CEF/490/SP U.N.O

REV	NAME	DATE	DESCRIPTION

MATERIAL LIST

ITEM	No.OFF	SECTION	LENGTH	GRADE	WEIGHT(kg)	AREA(m ²)
GR3	1	LYS-C15012	3299	G450	9.2	2.0
TOTAL:					9.2	2.0



2 GIRT[S] REQUIRED MK GR4

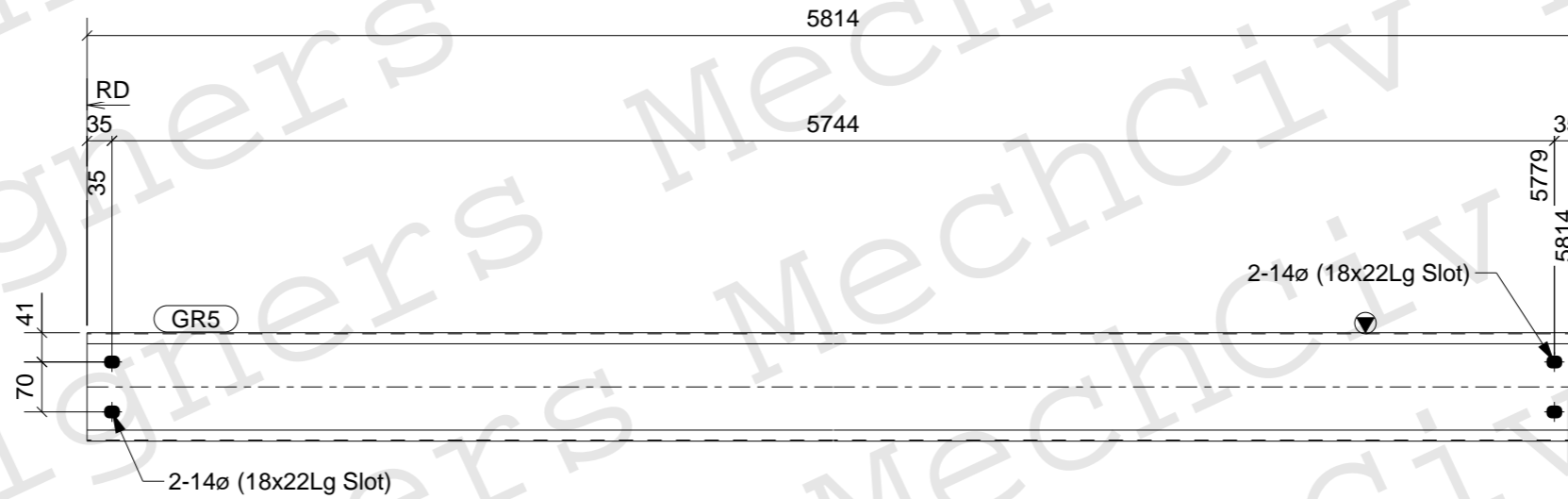
General Notes

Paint Specification:-
 Abrasive blast to Class 2 & 1/2 standard
 One coat of Inorganic Zinc Silicate (75 microns)
 Top colour coat od acrylic gloss (50 microns)
 ALL WELD 6CEF/490/SP U.N.O

REV	NAME	DATE	DESCRIPTION

MATERIAL LIST

ITEM	No.OFF	SECTION	LENGTH	GRADE	WEIGHT(kg)	AREA(m ²)
GR4	2	LYS-C15012	3297	G450	18.3	4.0
TOTAL:					18.3	4.0



4 GIRT[S] REQUIRED MK GR5

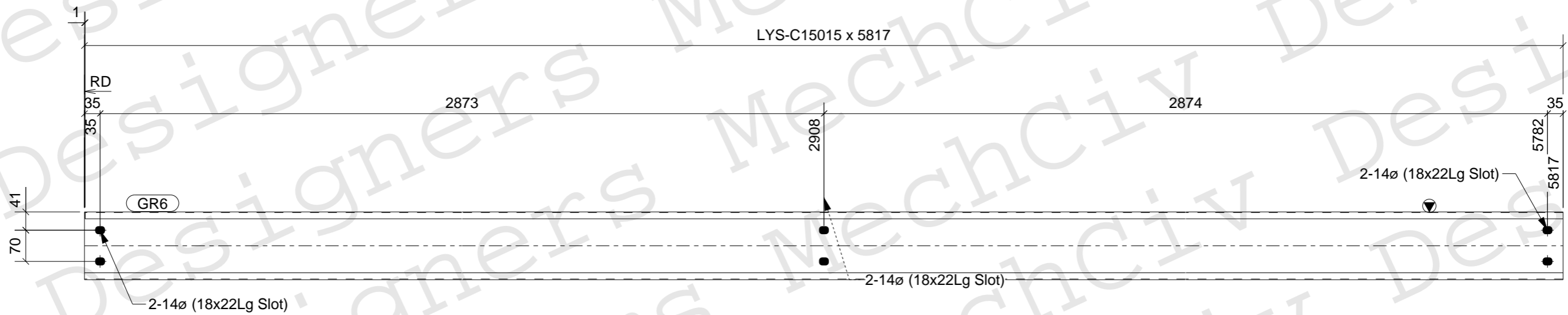
General Notes

Paint Specification:-
 Abrasive blast to Class 2 & 1/2 standard
 One coat of Inorganic Zinc Silicate (75 microns)
 Top colour coat od acrylic gloss (50 microns)
 ALL WELD 6CEF/490/SP U.N.O

REV	NAME	DATE	DESCRIPTION

MATERIAL LIST

ITEM	No.OFF	SECTION	LENGTH	GRADE	WEIGHT(kg)	AREA(m ²)
GR5	4	LYS-C15015	5814	G450	80.8	14.3
TOTAL:					80.8	14.3



1 GIRT[S] REQUIRED MK GR6

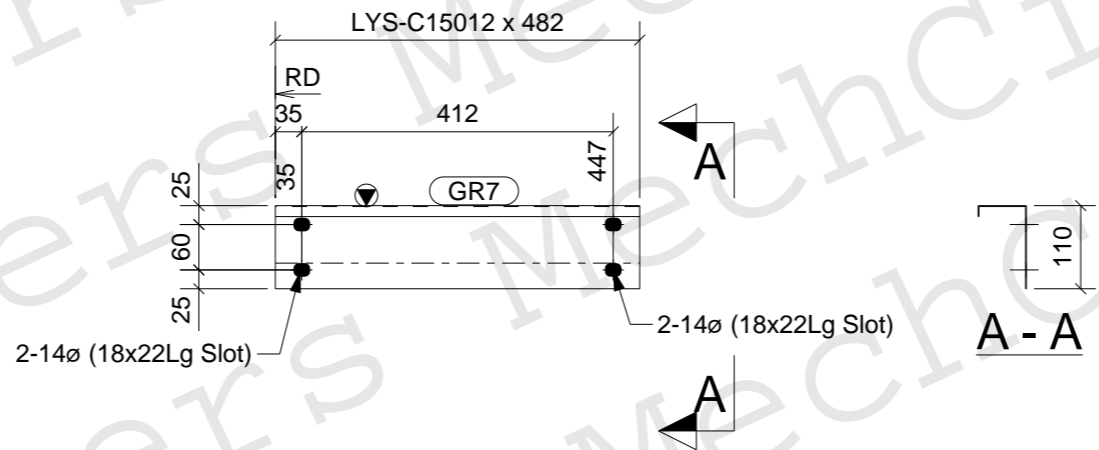
General Notes

Paint Specification:-
 Abrasive blast to Class 2 & 1/2 standard
 One coat of Inorganic Zinc Silicate (75 microns)
 Top colour coat od acrylic gloss (50 microns)
 ALL WELD 6CEF/490/SP U.N.O

REV	NAME	DATE	DESCRIPTION

MATERIAL LIST

ITEM	No.OFF	SECTION	LENGTH	GRADE	WEIGHT(kg)	AREA(m ²)
GR6	1	LYS-C15015	5817	G450	20.2	3.6
TOTAL:					20.2	3.6



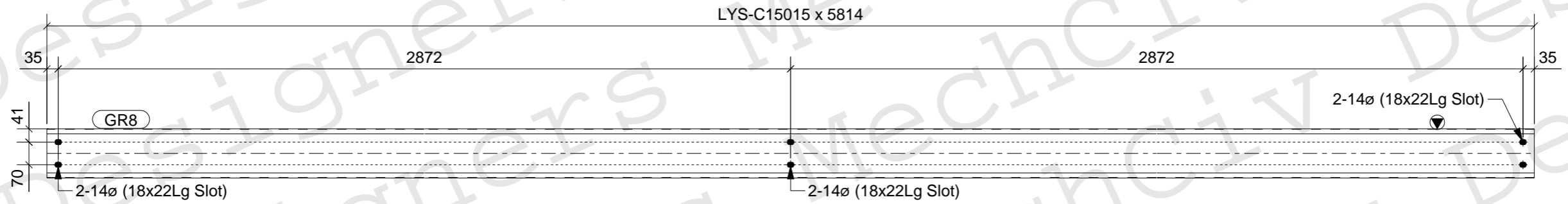
15 GIRT[S] REQUIRED MK GR7

MATERIAL LIST						
ITEM	No.OFF	SECTION	LENGTH	GRADE	WEIGHT(kg)	AREA(m ²)
GR7	15	LYS-C15012	482	G450	20.1	2.7
TOTAL:					20.1	2.7

General Notes

Paint Specification:-
 Abrasive blast to Class 2 & 1/2 standard
 One coat of Inorganic Zinc Silicate (75 microns)
 Top colour coat od acrylic gloss (50 microns)
 ALL WELD 6CEF/490/SP U.N.O

REV	NAME	DATE	DESCRIPTION



2 GIRT[S] REQUIRED MK GR8

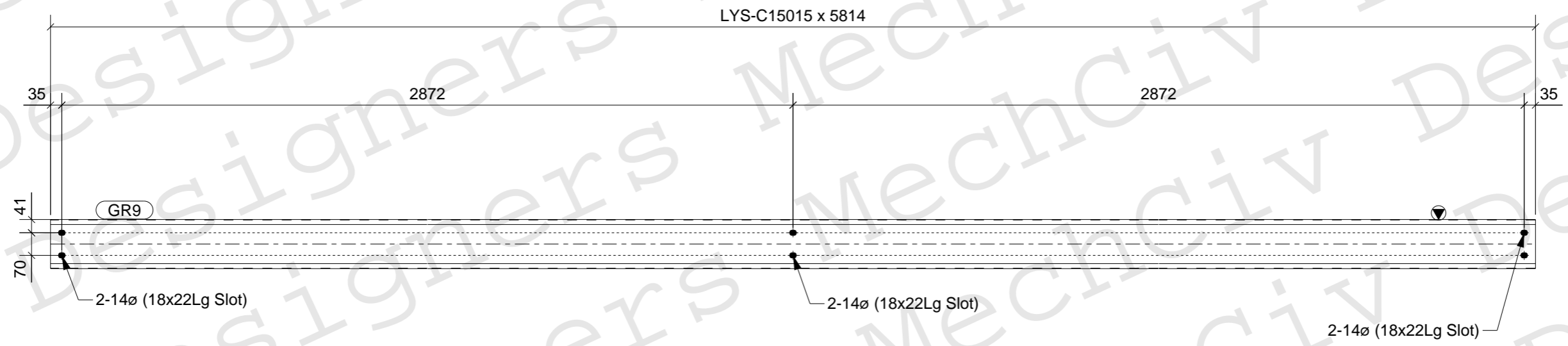
General Notes

Paint Specification:-
 Abrasive blast to Class 2 & 1/2 standard
 One coat of Inorganic Zinc Silicate (75 microns)
 Top colour coat od acrylic gloss (50 microns)
 ALL WELD 6CEF/490/SP U.N.O

REV	NAME	DATE	DESCRIPTION

MATERIAL LIST

ITEM	No.OFF	SECTION	LENGTH	GRADE	WEIGHT(kg)	AREA(m ²)
GR8	2	LYS-C15015	5814	G450	40.4	7.1
TOTAL:					40.4	7.1



10 GIRT[S] REQUIRED MK GR9

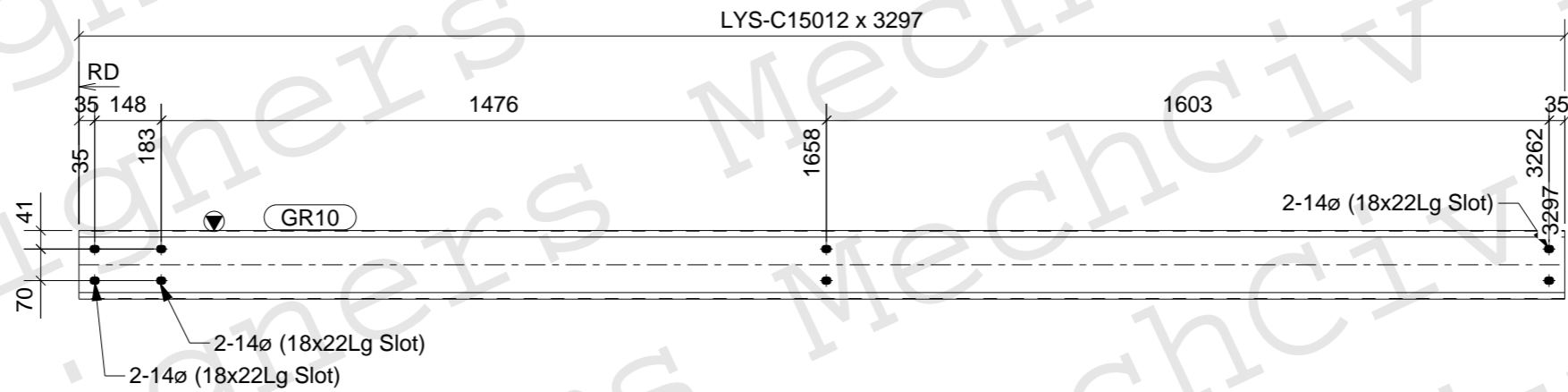
General Notes

Paint Specification:-
 Abrasive blast to Class 2 & 1/2 standard
 One coat of Inorganic Zinc Silicate (75 microns)
 Top colour coat od acrylic gloss (50 microns)
 ALL WELD 6CEF/490/SP U.N.O

REV	NAME	DATE	DESCRIPTION

MATERIAL LIST

ITEM	No.OFF	SECTION	LENGTH	GRADE	WEIGHT(kg)	AREA(m ²)
GR9	10	LYS-C15015	5814	G450	202.0	35.6
TOTAL:					202.0	35.6



5 GIRT[S] REQUIRED MK GR10

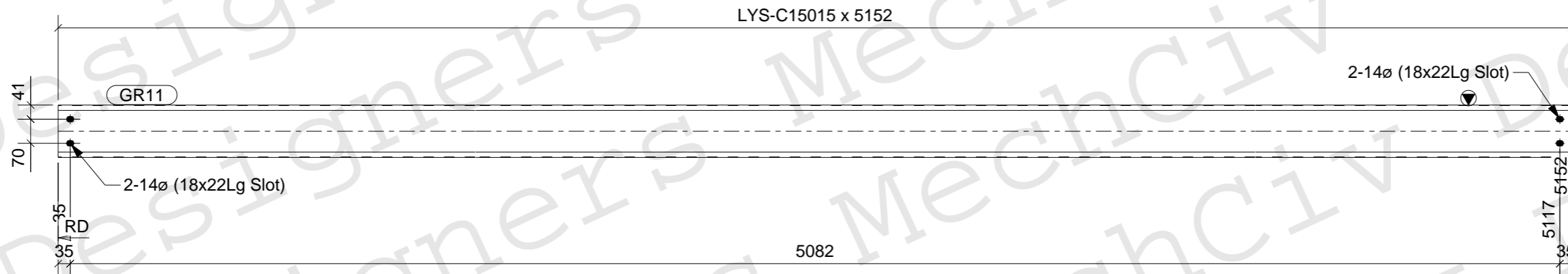
General Notes

Paint Specification:-
 Abrasive blast to Class 2 & 1/2 standard
 One coat of Inorganic Zinc Silicate (75 microns)
 Top colour coat od acrylic gloss (50 microns)
 ALL WELD 6CEF/490/SP U.N.O

REV	NAME	DATE	DESCRIPTION

MATERIAL LIST

ITEM	No.OFF	SECTION	LENGTH	GRADE	WEIGHT(kg)	AREA(m ²)
GR10	5	LYS-C15012	3297	G450	45.8	10.1
TOTAL:					45.8	10.1



2 GIRT[S] REQUIRED MK GR11

General Notes

Paint Specification:-
 Abrasive blast to Class 2 & 1/2 standard
 One coat of Inorganic Zinc Silicate (75 microns)
 Top colour coat od acrylic gloss (50 microns)
 ALL WELD 6CEF/490/SP U.N.O

REV	NAME	DATE	DESCRIPTION

MATERIAL LIST

ITEM	No.OFF	SECTION	LENGTH	GRADE	WEIGHT(kg)	AREA(m ²)
GR11	2	LYS-C15015	5152	G450	35.8	6.3
TOTAL:					35.8	6.3

